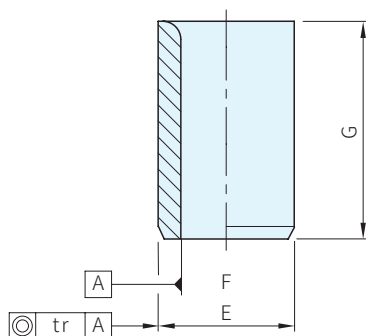




材質	硬度
鋼	HRC58~62



品號	庫存	E		F		G
		n6		F7		
SGR179-0002	·	5	+0.016	2	+0.016	6
SGR179-0004	·		+0.008		+0.006	9
SGR179-0006	·	6	+0.016	3	+0.016	8
SGR179-0008	·		+0.008		+0.006	12
SGR179-0010	·	7	+0.019	4	+0.022	8
SGR179-0012	·		+0.010		+0.010	12
SGR179-0014	·	8	+0.019	5	+0.022	8
SGR179-0016	·		+0.010		+0.010	12
SGR179-0018	·	10	+0.019	6	+0.022	10
SGR179-0020	·		+0.010		+0.010	16
SGR179-0022	·	12	+0.023	8	+0.028	10
SGR179-0024	·		+0.012		+0.013	16
SGR179-0026	·	15	+0.023	10	+0.028	12
SGR179-0028	·		+0.012		+0.013	20
SGR179-0030	·	18	+0.023	12	+0.034	12
SGR179-0032	·		+0.012		+0.016	20
SGR179-0034	·	26	+0.028	16	+0.034	16
SGR179-0036	·		+0.015		+0.016	28

Wa) 注意

- SGR179 襯套 $F < 5$, $tr = 0.01$;
 $F > 5$, $tr = 0.02$

訂貨： 交期： 天

SGR179-0002

Ps) 備註

- 本產品尺寸公差符合DIN179
- SGR179建議和SGR771.1定位銷配合使用
- E公差n6可配合孔公差H7成壓配組立