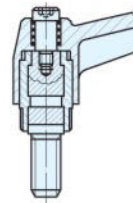
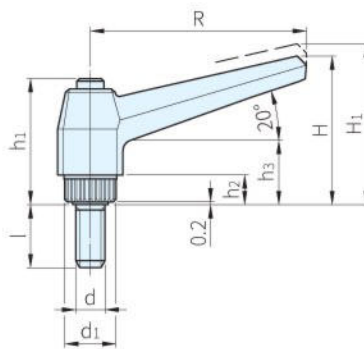
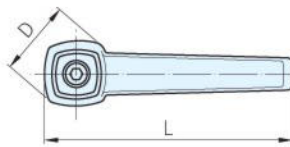


RoHS



| 把手 | | 牙部 | |
|----|-----|----|----|
| 材質 | 顏色 | 材質 | 處理 |
| PA | 黑、橘 | 鋼 | 染黑 |



| 黑色 品號 | 庫存 | 橘色 品號 | 庫存 | R | d 6g | L | D | H | H ₁ | h ₁ | h ₂ | h ₃ | d ₁ | l | 齒數 | 質量 (g) |
|----------|----|----------|----|-----|---------|----|----|----|----------------|----------------|----------------|----------------|----------------|----|----|-----------|
| MR.P-010 | · | MR.P-110 | · | 42 | M5 | 50 | 18 | 32 | 36.5 | 29 | 6 | 14 | 12 | 10 | 18 | 15 |
| MR.P-012 | · | MR.P-112 | · | | | | | | | | | | | 16 | | 16 |
| MR.P-014 | · | MR.P-114 | · | | | | | | | | | | | 20 | | 17 |
| MR.P-016 | · | MR.P-116 | · | | 10 | | | | | | | | | 16 | | |
| MR.P-018 | · | MR.P-118 | · | | 16 | | | | | | | | | 17 | | |
| MR.P-020 | · | MR.P-120 | · | | 20 | | | | | | | | | 18 | | |
| MR.P-022 | · | MR.P-122 | · | | 25 | | | | | | | | | 19 | | |
| MR.P-024 | · | MR.P-124 | · | | 30 | | | | | | | | | 20 | | |
| MR.P-026 | · | MR.P-126 | · | | 40 | | | | | | | | | 21 | | |
| MR.P-028 | · | MR.P-128 | · | | M8 | | | | | | | | | 20 | | 20 |
| MR.P-030 | · | MR.P-130 | · | 63 | M6 | 73 | 23 | 43 | 47.0 | 36 | 8 | 17 | 15 | 10 | 20 | 31 |
| MR.P-032 | · | MR.P-132 | · | | | | | | | | | | | 16 | | 32 |
| MR.P-034 | · | MR.P-134 | · | | | | | | | | | | | 20 | | 33 |
| MR.P-036 | · | MR.P-136 | · | | | | | | | | | | | 25 | | 34 |
| MR.P-038 | · | MR.P-138 | · | | | | | | | | | | | 30 | | 35 |
| MR.P-040 | · | MR.P-140 | · | | 40 | | | | | | | | | 36 | | |
| MR.P-042 | · | MR.P-142 | · | | 16 | | | | | | | | | 34 | | |
| MR.P-044 | · | MR.P-144 | · | | M8 | | | | | | | | | 20 | | 35 |
| MR.P-046 | · | MR.P-146 | · | | | | | | | | | | | 25 | | 37 |
| MR.P-048 | · | MR.P-148 | · | | | | | | | | | | | 30 | | 39 |
| MR.P-050 | · | MR.P-150 | · | 35 | | 41 | | | | | | | | | | |
| MR.P-052 | · | MR.P-152 | · | 40 | | 43 | | | | | | | | | | |
| MR.P-054 | · | MR.P-154 | · | 50 | 47 | | | | | | | | | | | |
| MR.P-056 | · | MR.P-156 | · | 60 | 51 | | | | | | | | | | | |
| MR.P-058 | · | MR.P-158 | · | M10 | 40 | 52 | | | | | | | | | | |

| 黑色 品號 | 庫存 | 橘色 品號 | 庫存 | R | d 6g | L | D | H | H ₁ | h ₁ | h ₂ | h ₃ | d ₁ | l | 齒數 | 質量 (g) | | | | | | | | | |
|----------|----|----------|----|-----|---------|-----|----|------|----------------|----------------|----------------|----------------|----------------|-----|-----|-----------|----|------|----|----|----|----|----|----|-----|
| MR.P-060 | • | MR.P-160 | • | 80 | M8 | 92 | 28 | 54 | 59.5 | 45 | 10 | 22 | 19 | 70 | 24 | 85 | | | | | | | | | |
| MR.P-062 | • | MR.P-162 | • | | | | | | | | | | | 16 | | 70 | | | | | | | | | |
| MR.P-064 | • | MR.P-164 | • | | 20 | | | | | | | | | 72 | | | | | | | | | | | |
| MR.P-066 | • | MR.P-166 | • | | 25 | | | | | | | | | 74 | | | | | | | | | | | |
| MR.P-068 | • | MR.P-168 | • | | 30 | | | | | | | | | 77 | | | | | | | | | | | |
| MR.P-070 | • | MR.P-170 | • | | 35 | | | | | | | | | 80 | | | | | | | | | | | |
| MR.P-072 | • | MR.P-172 | • | | 40 | | | | | | | | | 82 | | | | | | | | | | | |
| MR.P-074 | • | MR.P-174 | • | | 50 | | | | | | | | | 87 | | | | | | | | | | | |
| MR.P-076 | • | MR.P-176 | • | | 60 | | | | | | | | | 92 | | | | | | | | | | | |
| MR.P-078 | • | MR.P-178 | • | | 70 | | | | | | | | | 97 | | | | | | | | | | | |
| MR.P-080 | • | MR.P-180 | • | 100 | M12 | 114 | 33 | 65 | 70.5 | 53 | 12 | 25 | 25 | 30 | 28 | 138 | | | | | | | | | |
| MR.P-082 | • | MR.P-182 | • | | | | | | | | | | | 20 | | 76 | | | | | | | | | |
| MR.P-084 | • | MR.P-184 | • | | 25 | | | | | | | | | 80 | | | | | | | | | | | |
| MR.P-086 | • | MR.P-186 | • | | 30 | | | | | | | | | 84 | | | | | | | | | | | |
| MR.P-088 | • | MR.P-188 | • | | 35 | | | | | | | | | 88 | | | | | | | | | | | |
| MR.P-090 | • | MR.P-190 | • | | 40 | | | | | | | | | 92 | | | | | | | | | | | |
| MR.P-092 | • | MR.P-192 | • | | 50 | | | | | | | | | 100 | | | | | | | | | | | |
| MR.P-094 | • | MR.P-194 | • | | 60 | | | | | | | | | 108 | | | | | | | | | | | |
| MR.P-096 | • | MR.P-196 | • | | 70 | | | | | | | | | 116 | | | | | | | | | | | |
| MR.P-210 | • | MR.P-410 | • | | 80 | | | | | | | | | 118 | | | | | | | | | | | |
| MR.P-212 | • | MR.P-412 | • | M14 | 114 | 33 | 65 | 70.5 | 53 | 12 | 25 | 25 | 30 | 28 | 147 | | | | | | | | | | |
| MR.P-214 | • | MR.P-414 | • | | | | | | | | | | 35 | | 149 | | | | | | | | | | |
| MR.P-216 | • | MR.P-416 | • | | | | | | | | | | 50 | | 177 | | | | | | | | | | |
| MR.P-218 | • | MR.P-418 | • | | | | | | | | | | 70 | | 205 | | | | | | | | | | |
| MR.P-220 | • | MR.P-420 | • | | | | | | | | | | M16 | | 114 | 33 | 65 | 70.5 | 53 | 12 | 25 | 25 | 30 | 28 | 147 |
| MR.P-222 | • | MR.P-422 | • | | | | | | | | | | | | | | | | | | | | 50 | | 177 |
| | | | | | | | | | | | | | | | | 205 | | | | | | | | | |

Sp. 特長

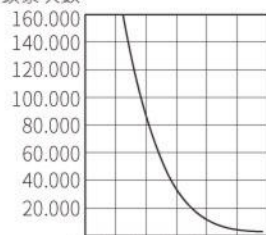
- 把手位置上拉後可自由調整，放鬆後齒合復位



Te. 技術資料

- 使用溫度max.130°C，min.-30°C
- 鎖緊次數與鎖緊夾持力表：

鎖緊次數



鎖緊夾持力

訂貨：品號 交期：1 天

MR.P-010