

- 1
- 2
- 3
- 4
- 5
- 6
- 7
- 8
- 9
- 10
- 11
- 12
- 13
- 14
- 15
- 16
- 17
- 18
- 19

LEVER BODY AND CLAMPING ELEMENT

Glass-fibre reinforced polyamide based (PA) technopolymer, RAL 5005 blue colour, plain finish (Ra < 0.8 µm).
Produced from FDA compliant raw material (FDA CFR.21 and EU 10/2011).

PACKING RINGS

Thermoplastic elastomer (TPE), hardness 75 +/- 5 shore A, in blue colour RAL 5005, FDA compliant.

STANDARD EXECUTIONS

- **MRY-SST-HVD**: AISI 316 stainless steel boss, threaded blind hole.
- **MRY-SST-p-HVD**: AISI 316 stainless steel threaded stud, chamfered flat end according to UNI 947 : ISO 4753 (see Technical data on page A-11).

FEATURES AND APPLICATIONS

A system of gaskets between the various parts of the adjustment mechanism makes this handle practically watertight, preventing the deposit of antigenic residues.
Suitable for applications on machines and equipment subject to frequent cleaning with water jets or that operate in the presence of liquids.
The cavity-free design and texture-free surface finish ensure maximum serviceability of the product.
The technopolymer in RAL 5005 blue colour, easily visible in case of accidental food contamination.
Suitable for clamping when the lever turning angle is limited owing to lack of space.
Compared to other types of adjustable handles with metal retaining screw this solution offers:

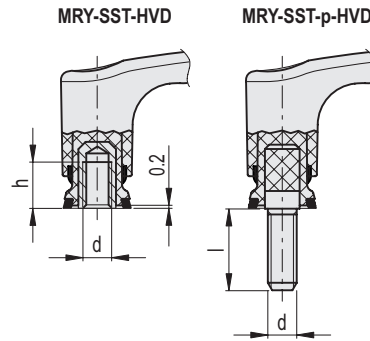
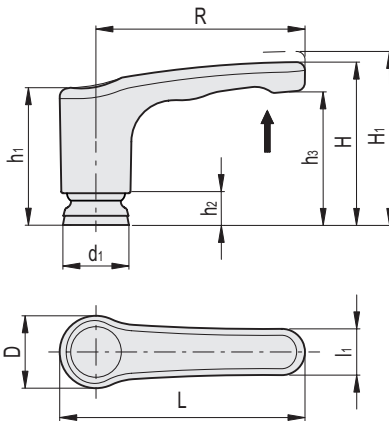
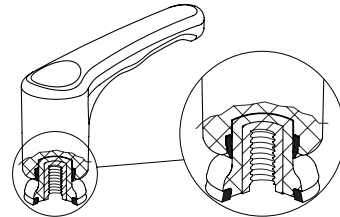
- Electrical insulation for the operator during operation.
- Removal of visible steel parts likely to rust.
- More comfortable lever disengagement.

INSTRUCTIONS OF USE

To adjust while tightening, lift the lever to disengage the teeth of the clamping element and return it to the starting position.
When the lever is released, the return spring automatically engages the teeth.



ELESA Original design



MRY-SST-HVD

Code	Description	R	d6H	L	D	H	H1	h	h1	h2	h3	d1	l1	Teeth no.	🔗
153501	MRY.63-SST-M6-HVD	63	M6	74	22	48.5	52.5	12	40.5	9	39	20	14	20	32
153506	MRY.63-SST-M8-HVD	63	M8	74	22	48.5	52.5	13	40.5	9	39	20	14	20	34

MRY-SST-p-HVD

Code	Description	R	d6g	L	D	H	H1	h1	h2	h3	d1	l	l1	Teeth no.	🔗
153511	MRY.63-SST-p-M6x20-HVD	63	M6	74	22	48.5	52.5	40.5	9	39	20	20	14	20	34
153521	MRY.63-SST-p-M6x30-HVD	63	M6	74	22	48.5	52.5	40.5	9	39	20	30	14	20	36
153526	MRY.63-SST-p-M6x40-HVD	63	M6	74	22	48.5	52.5	40.5	9	39	20	40	14	20	37
153536	MRY.63-SST-p-M8x20-HVD	63	M8	74	22	48.5	52.5	40.5	9	39	20	20	14	20	39
153546	MRY.63-SST-p-M8x30-HVD	63	M8	74	22	48.5	52.5	40.5	9	39	20	30	14	20	43
153556	MRY.63-SST-p-M8x40-HVD	63	M8	74	22	48.5	52.5	40.5	9	39	20	40	14	20	46