

1 LEVER BODY

Glass-fibre reinforced polyamide based (PA) technopolymer, grey-black colour, matte finish.

2 PUSH BUTTON

Technopolymer, grey-black colour, polished finish

3 ELASTIC FORK AND ELASTIC RING

Acetal resin based (POM) technopolymer, black colour.

4 RETAINING CHAIN

Ball cable and coupling heads in acetal resin based (POM) technopolymer, black colour.

NERINOX treated stainless steel ring with two coils.

Head fastening by means of a self-tapping screw Ø4.8 mm UNI EN ISO 7050 or a M5 countersunk-head screw UNI EN ISO 10642.

7 STANDARD EXECUTIONS

Glass-fibre reinforced technopolymer clamping element with retaining pin, black colour, with knurling on the protruding part to make initial tightening easier. AISI 302 stainless steel return spring.

- **ERX-SST-LP**: AISI 303 stainless steel boss, threaded blind hole.
- **ERX-SST-p-LP**: AISI 303 stainless steel threaded stud, chamfered flat end UNI 947 : ISO 4753 (see Technical data on page A-11).

14 FEATURES AND APPLICATIONS

The fork, located between the lever and the elastic ring, can rotate freely. The spiral ring connects the elastic retaining fork to the chain. The solution adopted enables ergonomic use of the handle without the chain causing an obstruction to the lever tightening and adjustment operations.

Suitable for use when it is necessary to avoid the loss of the handle. For applications in which the fixing of the chain is at a position higher than that of the lever, it is advisable to leave it with slack movement to prevent the ring from touching the lever.

Particularly suitable when the lever turning angle is limited owing to lack of space.

Compared to other types of adjustable handles with metal retaining screw this solution offers:

- absolute electric insulation for the operator
- no visible steel parts subject to rust
- more comfortable lever release.

16 STRESS RESISTANCE

Adjustable handles are generally used for repetitive clamping operations sometimes with very high-frequency.

Therefore, the stress resistance (i.e. the resistance to repeated tightening cycles) of the handle unit is particularly important and, especially, the strength of the toothed element which transmits the tightening force from the handle to the threaded element (boss or stud).

In fact, the results of several laboratory tests, performed with a special instrument that simulates the most severe use conditions, have shown that e.g. ERX.78 adjustable handle can withstand without yielding more than 100,000 tightening cycles, under the action of a force of 490 N (see graphic).

The special glass-fibre reinforced technopolymer enables the ELESa adjustable handles to guarantee stress resistance values which are much higher than the ones generated under normal working conditions.

INSTRUCTIONS OF USE

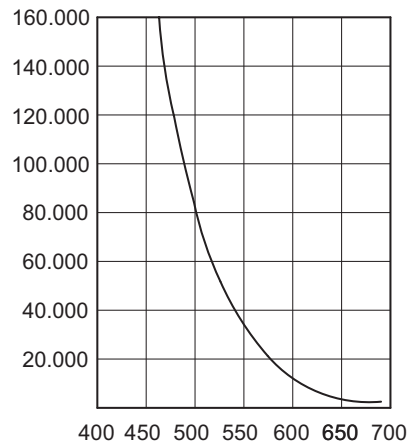
To adjust while tightening, lift the lever to disengage the teeth of the clamping element and return it to the starting position. When the lever is released, the return spring automatically engages the teeth.

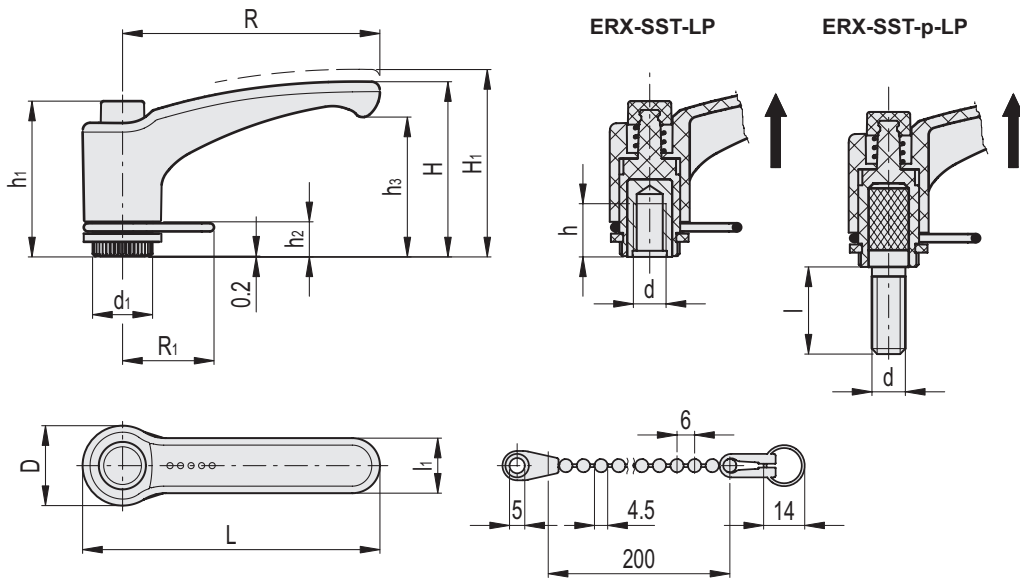
SPECIAL EXECUTIONS ON REQUEST

- Chain in different lengths.
- Handle with retaining cable CV-T (see page -) in polyethylene black colour.
- Handle with cable in stainless steel GN 111 on page 611, GN 111.2 on page 612 and GN 111.4 on page 613.



NUMBER OF TIGHTENINGS





ERX-SST-LP



Code	Description	R	d6H	L	D	H	H1	h	h1	h2	h3	d1	l1	R1	Teeth no.	⚖️
236020-C1	ERX.44-SST-M6-C1-LP	44	M6	52	16	32.5	36	10	29.5	6	25	12	11	21	18	22
236030-C1	ERX.63-SST-M8-C1-LP	63	M8	72.5	19	43	47	13	37.5	8	34.5	15	13.5	22.5	20	33.8
236040-C1	ERX.78-SST-M10-C1-LP	78	M10	89.5	23	54	58	18	47	12	44	19	16	24	24	54.8

ERX-SST-p-LP



Code	Description	R	d6g	L	D	H	H1	h1	h2	h3	d1	l	l1	R1	Teeth no.	⚖️
236021-C1	ERX.44-SST-p-M6x10-C1-LP	44	M6	52	16	32.5	36	29.5	6	25	12	10	11	21	18	22.3
236023-C1	ERX.44-SST-p-M6x20-C1-LP	44	M6	52	16	32.5	36	29.5	6	25	12	20	11	21	18	24.1
236025-C1	ERX.44-SST-p-M6x30-C1-LP	44	M6	52	16	32.5	36	29.5	6	25	12	30	11	21	18	26
236033-C1	ERX.63-SST-p-M8x20-C1-LP	63	M8	72.5	19	43	47	37.5	8	34.5	15	20	13.5	22.5	20	39.2
236035-C1	ERX.63-SST-p-M8x30-C1-LP	63	M8	72.5	19	43	47	37.5	8	34.5	15	30	13.5	22.5	20	42.7
236037-C1	ERX.63-SST-p-M8x40-C1-LP	63	M8	72.5	19	43	47	37.5	8	34.5	15	40	13.5	22.5	20	45.6
236045-C1	ERX.78-SST-p-M10x30-C1-LP	78	M10	89.5	23	54	58	47	12	44	19	30	16	24	24	73
236047-C1	ERX.78-SST-p-M10x40-C1-LP	78	M10	89.5	23	54	58	47	12	44	19	40	16	24	24	78.2
236049-C1	ERX.78-SST-p-M10x50-C1-LP	78	M10	89.5	23	54	58	47	12	44	19	50	16	24	24	88.5

