



**MATERIAL**

Polypropylene (PP) based technopolymer, high resilience, black colour, matte finish, with "soft-touch" thermoplastic elastomer (TPE) inserts chemically and mechanically seamed, hardness 70 Shore A, orange colour RAL 2004 (C2), red RAL 3000 (C6), green RAL 6017 (C17) and grey RAL 7024 (C24), matte finish.

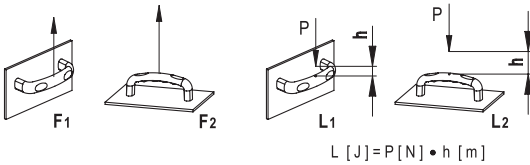
**STANDARD EXECUTIONS**

Brass bosses.

- **M.343-SOFT:** threaded blind holes for back mounting.
- **M.343-FM-SOFT:** pass-through holes for cylindrical-head screws with hexagon socket.

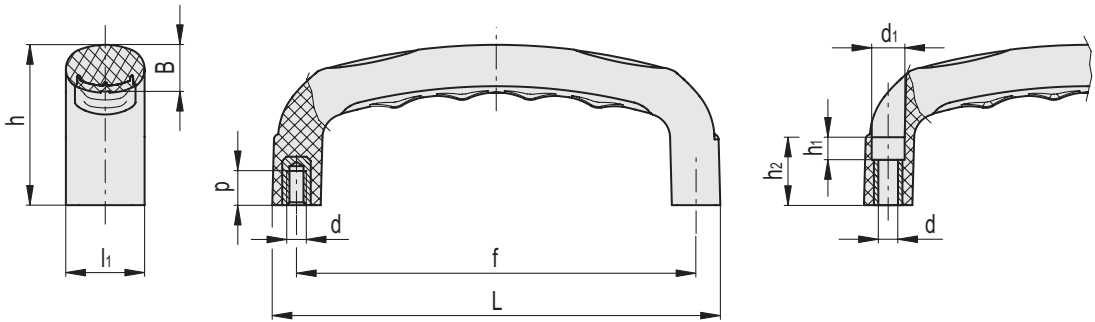
**TECHNICAL DATA**

Tensile stress and impact strength: F1, F2, L1 and L2 values reported in the table are the result of breaking tests carried out with the appropriate dynamometric equipment under the test conditions shown in the figure with ambient temperature.



M.343-SOFT

M.343-FM-SOFT



C2 RAL2004    C6 RAL3000    C17 RAL6017    C24 RAL7024

**M.343-SOFT**

Code	Description	L	f±0.5	d6H	h	B	l1	p	F1 [N]	F2 [N]	L1 [J]	L2 [J]	⚖️
38620	M.343/150 B-M6-SOFT-C2	148	132	M6	53	16	26	13	2000	2700	12	6	82
38622	M.343/150 B-M6-SOFT-C6	148	132	M6	53	16	26	13	2000	2700	12	6	82
38623	M.343/150 B-M6-SOFT-C17	148	132	M6	53	16	26	13	2000	2700	12	6	82
38621	M.343/150 B-M6-SOFT-C24	148	132	M6	53	16	26	13	2000	2700	12	6	82
38630	M.343/150 B-M8-SOFT-C2	148	132	M8	53	16	26	13	2300	2700	10	11	82
38632	M.343/150 B-M8-SOFT-C6	148	132	M8	53	16	26	13	2300	2700	10	11	82
38633	M.343/150 B-M8-SOFT-C17	148	132	M8	53	16	26	13	2300	2700	10	11	82
38631	M.343/150 B-M8-SOFT-C24	148	132	M8	53	16	26	13	2300	2700	10	11	82

**M.343-FM-SOFT**

Code	Description	L	f±0.5	d	d1	h	h1	h2	B	l1	F1 [N]	F2 [N]	L1 [J]	L2 [J]	⚖️
138620	M.343 FM/150 B-6-SOFT-C2	148	132	6.4	10.5	53	8.5	23.5	16	26	2000	2700	12	6	70
138622	M.343 FM/150 B-6-SOFT-C6	148	132	6.4	10.5	53	8.5	23.5	16	26	2000	2700	12	6	70
138623	M.343 FM/150 B-6-SOFT-C17	148	132	6.4	10.5	53	8.5	23.5	16	26	2000	2700	12	6	70
138621	M.343 FM/150 B-6-SOFT-C24	148	132	6.4	10.5	53	8.5	23.5	16	26	2000	2700	12	6	70