

- 1
- 2
- 3
- 4
- 5
- 6
- 7
- 8
- 9
- 10
- 11
- 12
- 13
- 14
- 15
- 16
- 17
- 18
- 19

MATERIAL

High-resilience polyamide based (PA) technopolymer, black colour, matte finish.

ROTATING PIN

Acetal resin based (POM) technopolymer, black colour.

PACKING RINGS

NBR 70 Shore synthetic rubber, black colour, supplied not assembled.

SEALING WASHERS

A2 stainless steel with packing ring in vulcanised EPDM, supplied not assembled.

STANDARD EXECUTIONS

- **CFAX-B-IP**: nickel-plated brass bosses with threaded hole.
- **CFAX-p-IP**: nickel-plated steel threaded studs.

ROTATION ANGLE (APPROXIMATE VALUE)

Max 215° (-35° and +180° being 0° the condition where the two interconnected surfaces are on the same plane).

Do not exceed the rotation angle limit so as not to prejudice the hinge mechanical performance.

To choose the convenient type and the right number of hinges for your application, see the Guidelines (see page 952).

FEATURES

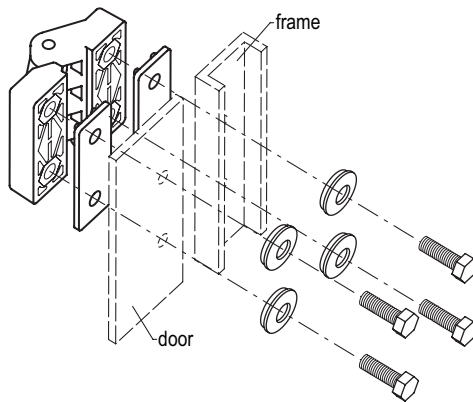
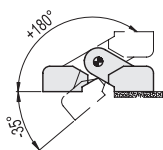
CFAX-IP hinges allow sealing with a protection rating of up to IP69K. The protection rating is maintained in both directions: from the outside of the protection to the inside and vice versa.

ASSEMBLY INSTRUCTIONS

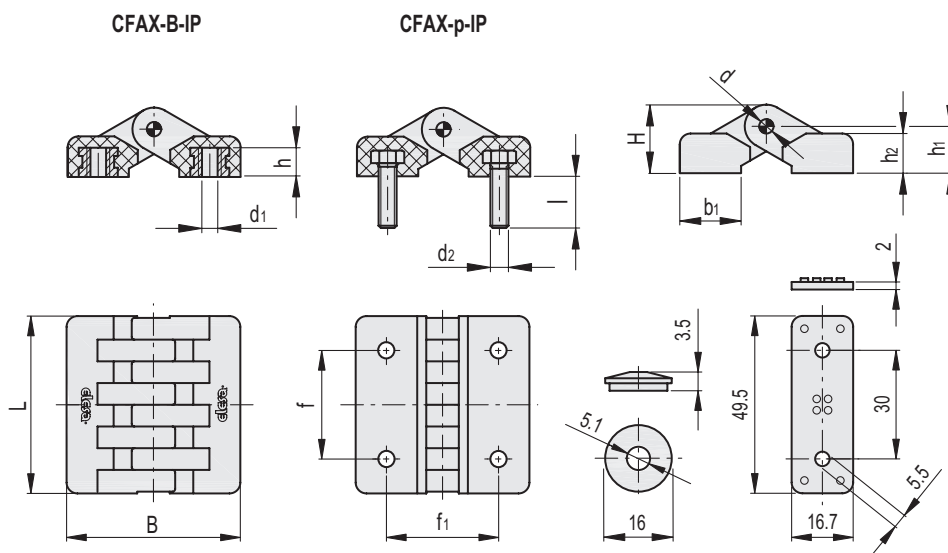
- Fit the rectangular packing rings behind the hinge.
- Install the hinge on the external side of the door.
- Line up the packing washers with the fixing holes, with the packing ring facing towards the door.
- Lock the hinge with a screw of the required length based on the thickness of the door (CFAX-B-IP) or with a nut (CFAX-p-IP).



FMD design



Resistance tests	Axial Stress		Radial Stress		90° Angled Stress	
	Maximum working load Ea [N]	Load at breakage Ra [N]	Maximum working load Er [N]	Load at breakage Rr [N]	Maximum working load E90 [N]	Load at breakage R90 [N]
CFAX.49-B-M5-IP	400	2400	440	2760	170	1320
CFAX.49-p-M5x14-IP	370	3070	360	2400	200	900



CFAQ-B-IP

Code	Description	L	B	d1	h	f±0.25	f1±0.25	H	h1	h2	b1	d	C# [Nm]	⚖️
422451	CFAQ.49-B-M5-IP	49.5	48	M5	8.5	30	31	19	13	11	17	4	5	39

CFAQ-p-IP

Code	Description	L	B	d2	l	f±0.25	f1±0.25	H	h1	h2	b1	d	C# [Nm]	⚖️
422458	CFAQ.49-p-M5x14-IP	49.5	48	M5	14	30	31	19	13	11	17	4	5	45

Suggested tightening torque for assembly screws.