

HYDRAULIC UNIVERSAL MAGNETIC STANDS



6229-60



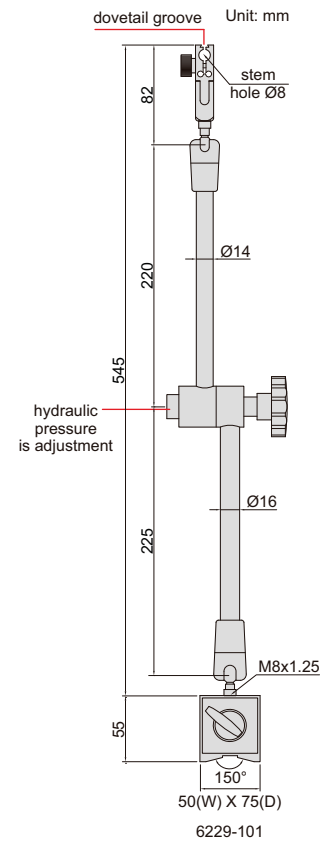
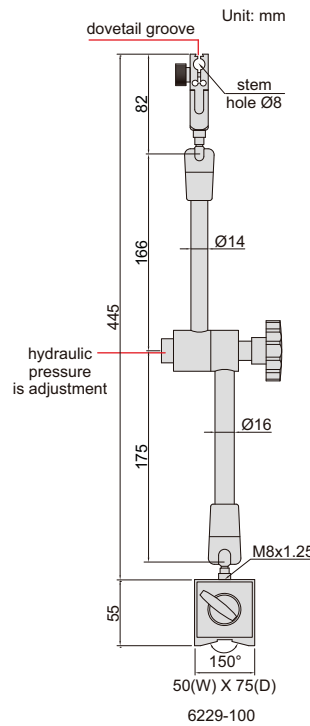
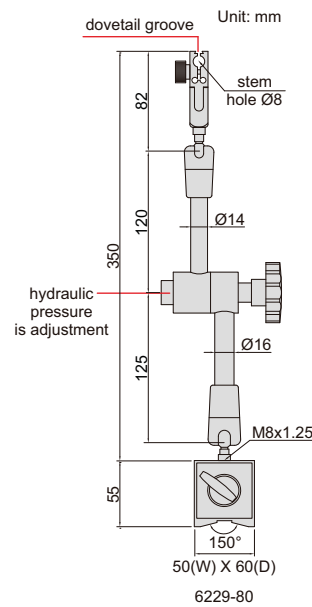
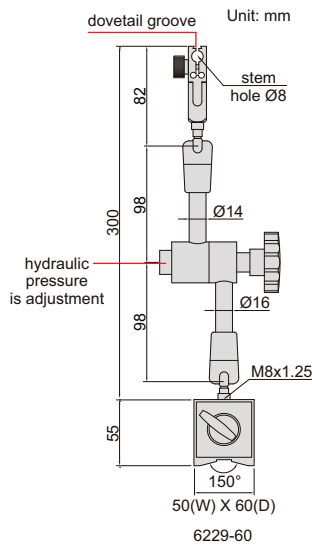
6229-80



6229-100



6229-101



Code	Magnetic force	Applicable holding stem	Remark
6229-60	60kgf	Ø8mm	with fine adjustment and dovetail groove
6229-80	80kgf	Ø8mm	with fine adjustment and dovetail groove
6229-100	100kgf	Ø8mm	with fine adjustment and dovetail groove
6229-101	100kgf	Ø8mm	with fine adjustment and dovetail groove

- Hydraulic pressure is adjustment
- For digital/dial indicators and dial test indicators