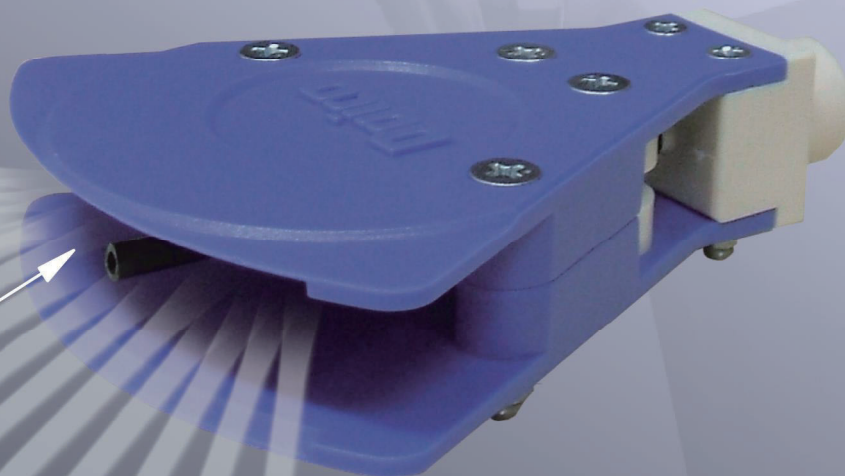


NEW

PGO-91

Shock wave Nozzle • Pata-Gun
(for Air Compressor)**Pata-Gun**

Impact wave realizes increasing of work efficiency and energy-saving at same time.

Patent
5208191

Air jet mouth

(Amplitude working part)

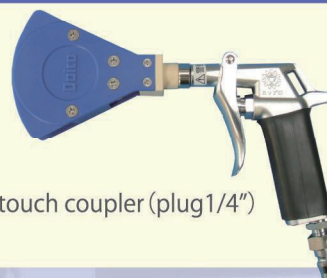
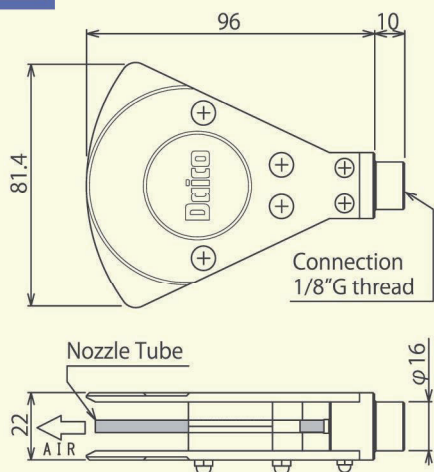
← Air waving image spread over wide range

At fluid spraying part, intermittent impact wave is available over wide range due to high speed amplitude. As a result you can remove water and dust save air consumption more efficiently than conventional air blow gun and you can reduce the process time.

Model: PGO-91 (Unit Type)

Connection: 1/8" G thread
Weight: 72g

Model: PGO-91G (with Air-Gun)

Connection: one touch coupler (plug 1/4")
weight: 300g**Size****Material**Outer Case : POM resin (Polyacetal)
Nozzle Tube : Soft urethane
Screw part : SUS304

Air Flow	Usable Fluid	Air Pressure		temperature
90~120 NL/min.	Air, Inert gas	Air-Gun 0.4~0.45MPa.	Fixed piping 0.35~0.4MPa.	10~40°C

※ In order to improve performance, product specifications may be changed.