

- 1
- 2
- 3
- 4
- 5
- 6
- 7
- 8
- 9
- 10
- 11
- 12
- 13
- 14
- 15
- 16
- 17
- 18
- 19

MATERIAL

Glass-fibre reinforced polyamide based (PA) technopolymer, RAL 5005 blue colour, matte finish.

Produced from FDA compliant raw material (FDA CFR.21 and EU 10/2011).

STANDARD EXECUTIONS

TCC-A-VD: for round tubes with diameter of "d1" ±0,2mm.

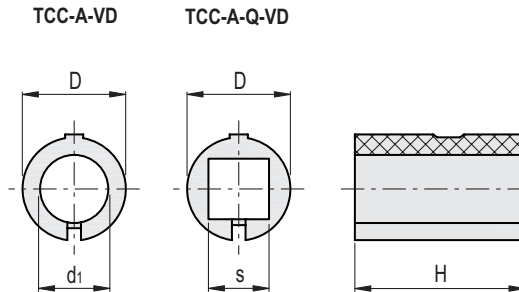
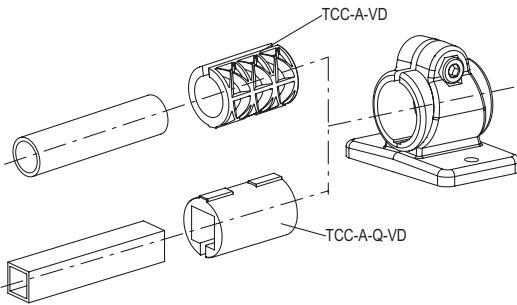
TCC-A-Q-VD: for square section tubes "s" ±0,2mm.

TECHNICAL DATA

The resistance values shown in the table were measured during laboratory tests at ambient temperature with the screws tightened to the maximum torque of 5 Nm for TCC-A-VD-18 and 12 Nm for TCC-A-VD-30.



ELESA Original design



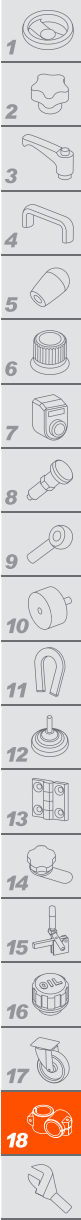
TCC-A-VD

Code	Description	D	H	d1	
191101	TCC-A-18-12-VD	18	29	12	5
191102	TCC-A-18-14-VD	18	29	14	4
191103	TCC-A-18-15-VD	18	29	15	4
191104	TCC-A-18-16-VD	18	29	16	3
191201	TCC-A-30-20-VD	30	45	20	15
191202	TCC-A-30-25-VD	30	45	25	10

TCC-A-Q-VD

Code	Description	D	H	s	
191107	TCC-AQ-18-10-VD	18	29	10	6
191108	TCC-AQ-18-12-VD	18	29	12	4
191207	TCC-AQ-30-20-VD	30	45	20	17

Tube connectors



Resistance to tube pull-out (F1) and rotation (M1) with the hole reduction sleeves inserted in the different types of clamps

	TCC-AB		TCC-CR		TCC-SL		TCC-TB		TCC-TS	
	F1 [N]	M1 [Nm]	F1 [N]	M1 [Nm]	F1 [N]	M1 [Nm]	F1 [N]	M1 [Nm]	F1 [N]	M1 [Nm]
TCC-A-18-12	900	5	1250	5	900	5	900	5	900	5
TCC-A-18-14	1000	7	1650	10	1400	7	1050	8	1200	7
TCC-A-18-15	1000	7	1650	14	1400	10	1100	13	1200	11
TCC-A-18-16	1050	7	2000	14	1300	11	1200	14	1250	12
TCC-A-30-20	1000	8	1000	5	1000	6	1150	7	1000	6
TCC-A-30-25	1350	11	1300	7	1300	7	1600	7	1400	7
TCC-A-18-Q10	200		400		200		250		250	
TCC-A-18-Q12	400		800		400		500		500	
TCC-A-30-Q20	900		800		600		1150		1000	

	TCC-AP		TCC-TP		TCC-AP-AP		TCC-AP-PB	
	F1 [N]	M1 [Nm]	F1 [N]	M1 [Nm]	F1 [N]	M1 [Nm]	F1 [N]	M1 [Nm]
TCC-A-30-20	1600	12	1600	12	1600	12	1600	12
TCC-A-30-25	2700	15	2700	15	2700	15	2700	15
TCC-A-30-Q20	1400		1400		1400		1400	

	TCC-AP-PBF		TCC-AP-TP		TCC-TP-PB		TCC-TP-PBF	
	F1 [N]	M1 [Nm]	F1 [N]	M1 [Nm]	F1 [N]	M1 [Nm]	F1 [N]	M1 [Nm]
TCC-A-30-20	1600	12	1600	12	1600	12	1600	12
TCC-A-30-25	2700	15	2700	15	2700	15	2700	15
TCC-A-30-Q20	1400		1400		1400		1400	

Tube connectors