

- 1
- 2
- 3
- 4
- 5
- 6
- 7
- 8
- 9
- 10
- 11
- 12
- 13
- 14
- 15
- 16
- 17
- 18

MATERIAL

Glass-fibre reinforced polyamide based (PA) technopolymer, black colour, matte finish.
Elastic fork in acetal based technopolymer (POM), black colour.

PACKING RING

NBR synthetic rubber O-Ring.
In addition to guaranteeing the OR-ring retention, the seat for the housing allows an optimal seal even with minimum tightening torques.

RETAINING CHAIN

Ball cable and coupling heads in acetal resin based (POM) technopolymer, black colour.
NERINOX treated stainless steel ring with two coils.
Head fastening by means of a self-tapping screw $\varnothing 4.8$ mm UNI EN ISO 7050 or a M5 countersunk-head screw UNI EN ISO 10642.

MAXIMUM CONTINUOUS WORKING TEMPERATURE

60°C

FEATURES AND APPLICATIONS

Suitable for use when it is necessary to avoid the loss of the cap.
The elastic fork, housed in the special groove of the cap, can rotate freely.
The spiral ring connects the elastic retaining fork to the chain.

TECHNICAL DATA

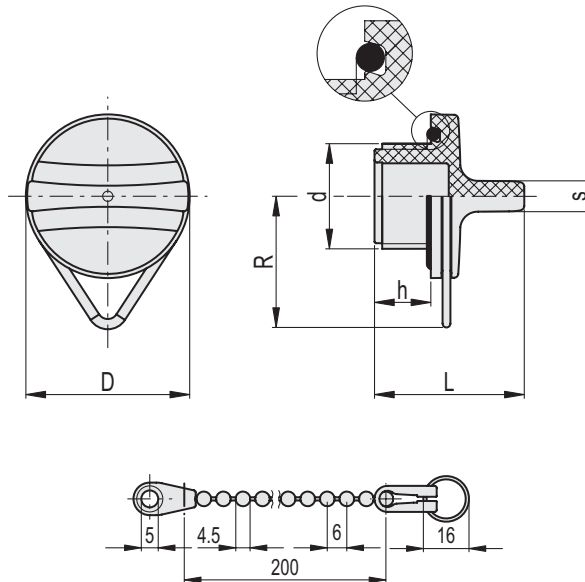
In laboratory tests carried out with mineral oil type CB68 (according to ISO 3498) at 23°C for a limited period of time, the values of pressure resistance were much higher than 100 bar.
In any case, we suggest to check the suitability of the product with regard to the fluid nature, operating temperature and application type under the actual working conditions..

SPECIAL EXECUTIONS ON REQUEST

- Chain in different lengths.
- Cap with retaining cable CV-T (see page-) in polyethylene black colour.
- Cap with stainless steel cable GN 111 (see page-), GN 111.2 (see page-), GN 111.4 (see page-).



ELESA Original design



Code	Description	d	h	s	D	L	R	Δ
158217	THR.1/2-LP	G 1/2	11	4	32	29	26	15
158218	THR.3/4-LP	G 3/4	12	5	37	32.5	28.5	23
158219	THR.1-LP	G 1	13	6	44	36	32	30