

- 1
- 2
- 3
- 4
- 5
- 6
- 7
- 8
- 9
- 10
- 11
- 12
- 13
- 14
- 15
- 16
- 17
- 18

MATERIAL

Phenolic based (PF) Duroplast, black colour, glossy finish.
White pad-printed index line, placed at 180° from the transversal grub screw.

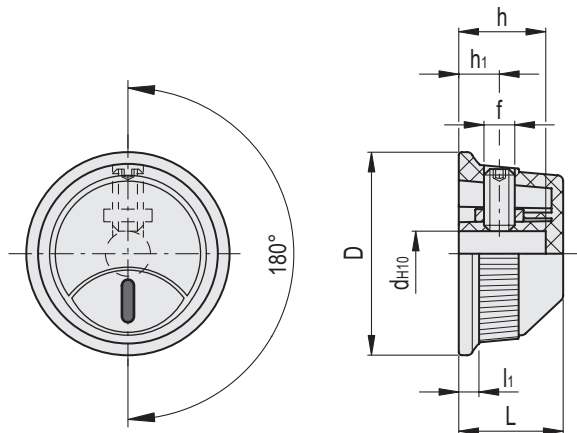
STANDARD EXECUTION

Plan blind hole, assembly by means of a transversal grub screw according to UNI 5929-85 in AISI 304 stainless steel (grub screw with hexagonal socket and cup end) which screws into the AISI 304 stainless steel nut.

Supplied.



ELESA Original design



Control elements

Code	Description	D	dH10	L	l1	h	h1	f	⚖
66851	MI.404/35 N-6	35	6	18	3.5	15	7	M5	11
66853	MI.404/40 N-8	40	8	20.5	4	17.5	7	M5	17
66855	MI.404/45 N-8	45	8	23	5	15	10	M5	19