

U-Handles · front mounting

EH 24300.



Product Description

U-handles are used, for example, on machine doors, furniture doors, cabinet doors, drawers and drawer units.

These U-handles are characterised by their ergonomic profile design with very high stability and their simple and timeless design.

Material

Handle

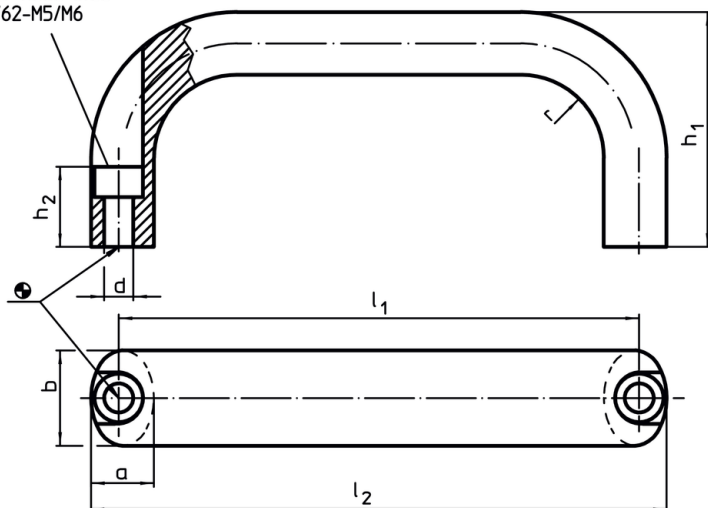
- Aluminium, drawn, bright, vibratory grinded
- Aluminium, plastic coated, similar to RAL 9005, black
- stainless steel, dull blasted

Assembly

Mounting is done from the operating side by means of a cylinder screw.


Drawing

bore for cylinder head stud
ISO 4762-M5/M6

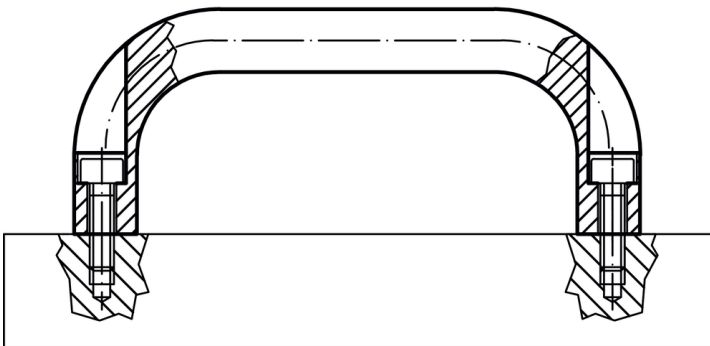


Order information

b	l ₁ ±0.25	l ₂	Dimensions					For cylinder screw [mm]	[g]	Art. No.
			a	d	h ₁	h ₂	r			
[mm]										
Aluminium, bright										
20	100	112	13	5.4	49	19	13	M5	80	24300.0101
20	112	124	13	5.4	49	19	13	M5	82	24300.0111
20	117	129	13	5.4	49	19	13	M5	84	24300.0113
20	120	132	13	5.4	51	19	13	M5	90	24300.0115
20	128	140	13	5.4	51	19	13	M5	100	24300.0121
20	160	172	13	5.4	51	19	13	M5	100	24300.0131
26	116	130	17	6.4	55	17	17	M6	146	24300.0141
26	120	134	17	6.4	55	17	17	M6	152	24300.0143
26	132	146	17	6.4	55	17	17	M6	161	24300.0151
26	164	178	17	6.4	57	17	17	M6	196	24300.0161
26	179	193	17	6.4	57	17	17	M6	215	24300.0166
26	196	210	17	6.4	57	17	17	M6	229	24300.0171
Aluminium, black										
20	100	112	13	5.4	49	19	13	M5	80	24300.0301
20	112	124	13	5.4	49	19	13	M5	82	24300.0311
20	117	129	13	5.4	49	19	13	M5	84	24300.0313
20	120	132	13	5.4	49	19	13	M5	90	24300.0315
20	128	140	13	5.4	51	19	13	M5	100	24300.0321

b	l ₁ ±0.25	l ₂	Dimensions					For cylinder screw		Art. No.
			a	d	h ₁	h ₂	r			
[mm]										
20	160	172	13	5.4	51	19	13	M5	120	24300.0331
26	116	130	17	6.4	55	17	17	M6	132	24300.0341
26	120	134	17	6.4	55	17	17	M6	152	24300.0343
26	132	146	17	6.4	55	17	17	M6	166	24300.0351
26	164	178	17	6.4	57	17	17	M6	206	24300.0361
26	179	193	17	6.4	57	17	17	M6	213	24300.0366
26	196	210	17	6.4	57	17	17	M6	232	24300.0371
stainless steel, dull blasted										
20	112	124	13	5.4	49	19	13	M5	258	24300.0511
20	128	140	13	5.4	51	19	13	M5	293	24300.0521
20	160	172	13	5.4	51	19	13	M5	345	24300.0531
26	128	140	17	6.4	57	17	19	M6	455	24300.0655
26	160	172	17	6.4	57	17	19	M6	542	24300.0665
26	200	216	17	6.4	57	17	19	M6	651	24300.0675

Application example



Compliance

For detailed compliance information please select the desired article number.