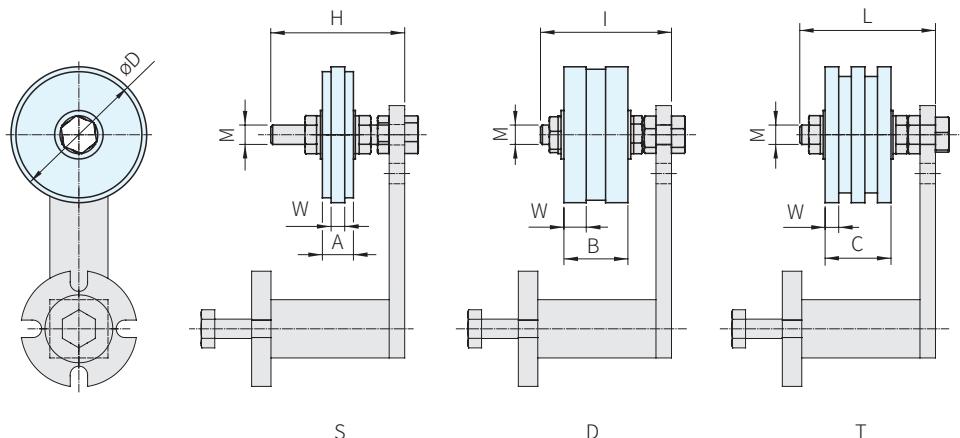




材質

PE
UHMWPE



| 品號 | | | 鏈條 | | Type | A | B | C | D | H | I | L | M | W |
|-----------|----------|----------|----------|------------|------|-----|----|----|-----|-----|-----|-----|-----|-----|
| MODEL | | | 節距 | NO. | | | | | | | | | | |
| S | D | T | | | | | | | | | | | | |
| TC-RO10-0 | RE011350 | RE011388 | - | 8mm | 10 | 18 | 18 | - | 70 | 45 | 45 | - | M8 | 2.5 |
| TC-RO10-1 | RE011351 | RE011389 | - | 3/8"×7/32" | | - | - | - | | - | 50 | - | - | - |
| TC-RO20-1 | - | - | RE011428 | 3/8"×7/32" | 20 | - | - | 36 | 90 | - | - | 60 | M10 | 7 |
| TC-RO20-2 | RE011353 | RE011392 | - | 1/2"×5/16" | 40 | - | - | - | | 55 | 55 | - | | |
| TC-RO30-2 | RE011354 | RE011393 | RE011432 | 1/2"×5/16" | | 30 | 18 | 36 | 36 | 110 | 55 | 60 | 70 | M12 |
| TC-RO30-3 | RE011357 | RE011397 | - | 5/8"×3/8" | 50 | | - | - | - | | 70 | 70 | - | |
| TC-RO30-4 | - | - | RE011437 | 5/8"×3/8" | | 60 | - | - | 49 | 120 | - | - | 100 | M10 |
| TC-RO30-4 | RE011360 | RE011400 | - | 3/4"×7/16" | 40 | | - | 36 | - | | 55 | 70 | - | |
| TC-RO40-4 | RE011361 | RE011401 | RE011440 | 3/4"×7/16" | | 50 | 18 | - | 49 | 130 | 80 | 80 | 100 | M12 |
| TC-RO40-5 | RE011364 | RE011404 | RE011443 | 1"×17.02mm | 100 | | - | 49 | 82 | | 90 | 90 | - | |
| TC-RO50-5 | - | RE011405 | RE011444 | 1"×17.02mm | | 120 | - | - | - | 140 | - | 100 | 120 | M20 |
| TC-RO50-6 | RE011369 | RE011409 | RE011448 | 1"1/4×3/4" | 20 | | 19 | 57 | 95 | | 100 | 100 | 120 | |
| TC-RO50-7 | RE011373 | RE011413 | RE011452 | 1"1/2×1" | | | 26 | 75 | 125 | | | | | |

PS. 備註

- 工作速度 ≤ 30M/分
- 輪工作溫度 ≤ 70°C

訂貨： - 交期： 天 S·NO.40
NO.50
TC-RO10-0 - S 天 其它

Wa. 注意

- 和TC-RE、TC-REP、TC-FE、TC-FEP、TC-BE
TC-BEP、TC-ME、TC-MEP、TC-ABN……組立使用