

- 1
- 2
- 3
- 4
- 5
- 6
- 7
- 8
- 9
- 10
- 11
- 12
- 13
- 14
- 15
- 16
- 17
- 18

MATERIAL

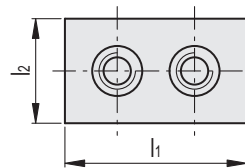
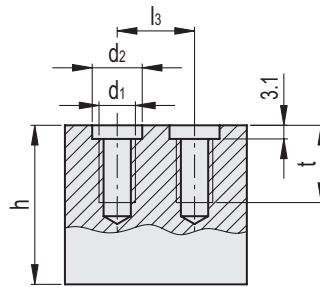
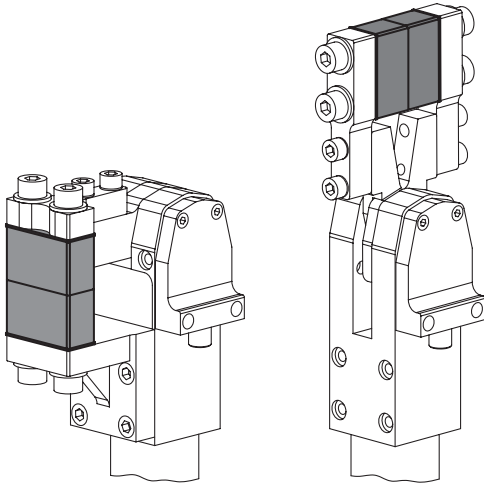
Black-oxide steel.

FEATURES

The jaw blocks are compatible with the brackets which are themselves compatible with the pneumatic fastening clamps MM-BL (see page -), MM-BI (see page -) or MM-BC (see page -).

ACCESSORIES ON REQUEST

Centering bushings MM-CC (see page -).



Code	Description	d1	d2 H8 / h6	h	l1	l2	l3 ±0.01	t	ΔΔ
MM.23020	MM-SC-A-20	M6	9	25	30	13	17	8	80
MM.23032	MM-SC-A-32	M8	11	35	40	17	23	12	180
MM.23040	MM-SC-A-40	M10	13	45	50	20	30	15	350
MM.23050	MM-SC-A-50	M10	13	50	60	20	40	15	470
MM.34020	MM-SC-AL-20	M6	9	50	30	13	17	8	150
MM.34032	MM-SC-AL-32	M8	11	70	40	17	23	12	370
MM.34040	MM-SC-AL-40	M10	13	80	50	20	30	15	620
MM.34050	MM-SC-AL-50	M10	13	85	60	20	40	15	800