

- 1
- 2
- 3
- 4
- 5
- 6
- 7
- 8
- 9
- 10
- 11
- 12
- 13
- 14
- 15
- 16
- 17
- 18

MATERIAL

Glass-fibre reinforced polyamide based (PA) technopolymer, resistant to high temperatures, black colour, matte finish.

STANDARD EXECUTION

Brass bosses, threaded blind holes.

MAX. WORKING TEMPERATURE

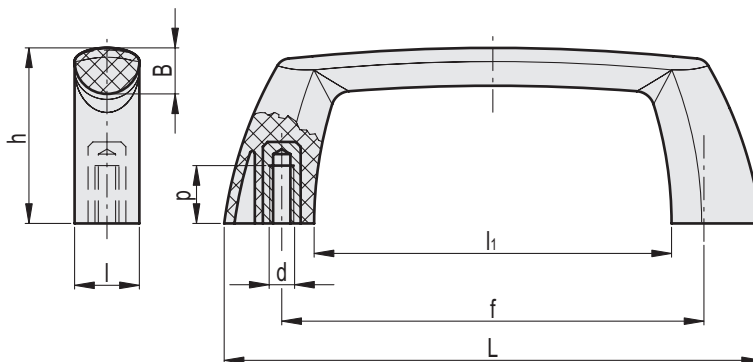
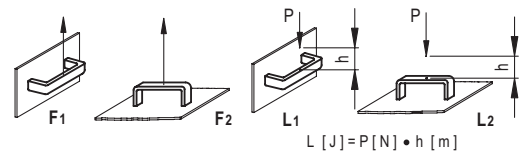
200°C.

TECHNICAL DATA

Tensile stress and impact strength: F1, F2, L1 and L2 values reported in the table are the result of breaking tests carried out with the appropriate dynamometric equipment under the test conditions shown in the figure with ambient temperature.



ELESA Original design



Code	Description	L	l	f	d	h	B	l1	p	F1 [N]	F2 [N]	L1 [J]	L2 [J]	⚖️
137903	M.943/112-B-M5-HT	112	13.5	88±0.5	M5	36.5	9	74.5	10	2000	2200	11	9	26
137923	M.943/144-B-M5-HT	144	15	120±0.5	M5	42	11	105	10	2000	2200	11	9	34