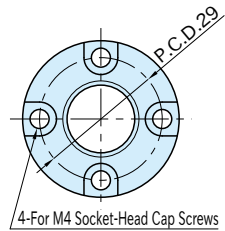
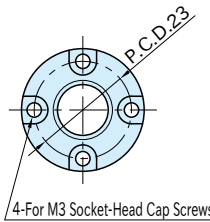


QCWES-B

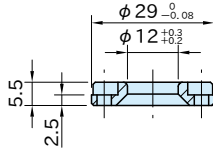
LOCKING RECEPTACLES



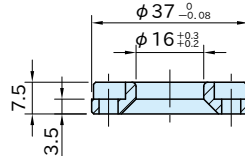
QCWES1225-B



QCWES1634-B



QCWES1225-B



QCWES1634-B

Part Number	Weight (g)	Proper Heavy Duty Knob-Locking Pins
QCWES1225-B	28	QCWES1225-16S
QCWES1634-B	60	QCWES1634-20S

Body
SCM435 steel Electroless nickel plated Quenched & tempered

Supplied With

- **QCWES1225-B**:
4 of socket-head cap screws(stainless steel), M3×0.5-6L
- **QCWES1634-B**:
4 of socket-head cap screws(stainless steel), M4×0.7-8L

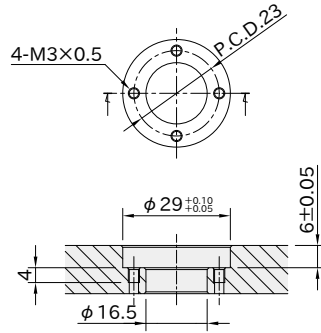
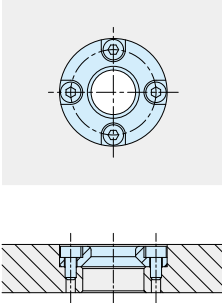
Reference

"Accuracy" of **QCWES** Heavy Duty Knob-Locking Pins

How To Install

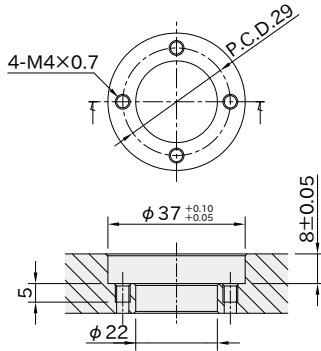
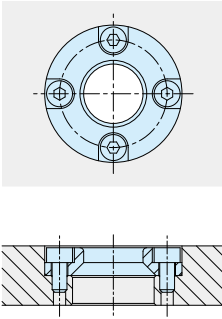
QCWES1225-B

Plate thickness should be 10mm or more.



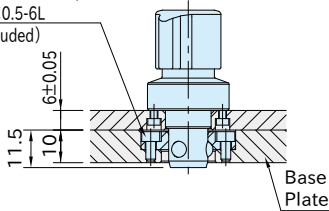
QCWES1634-B

Plate thickness should be 13mm or more.



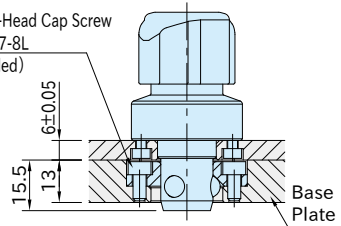
Note

Socket-Head Cap Screw
M3x0.5-6L
(included)



QCWES1225

Socket-Head Cap Screw
M4x0.7-8L
(included)



QCWES1634

The shaft of Heavy Duty Knob-Locking Pins can protrude from the base plate depending on the thickness of the base plate.