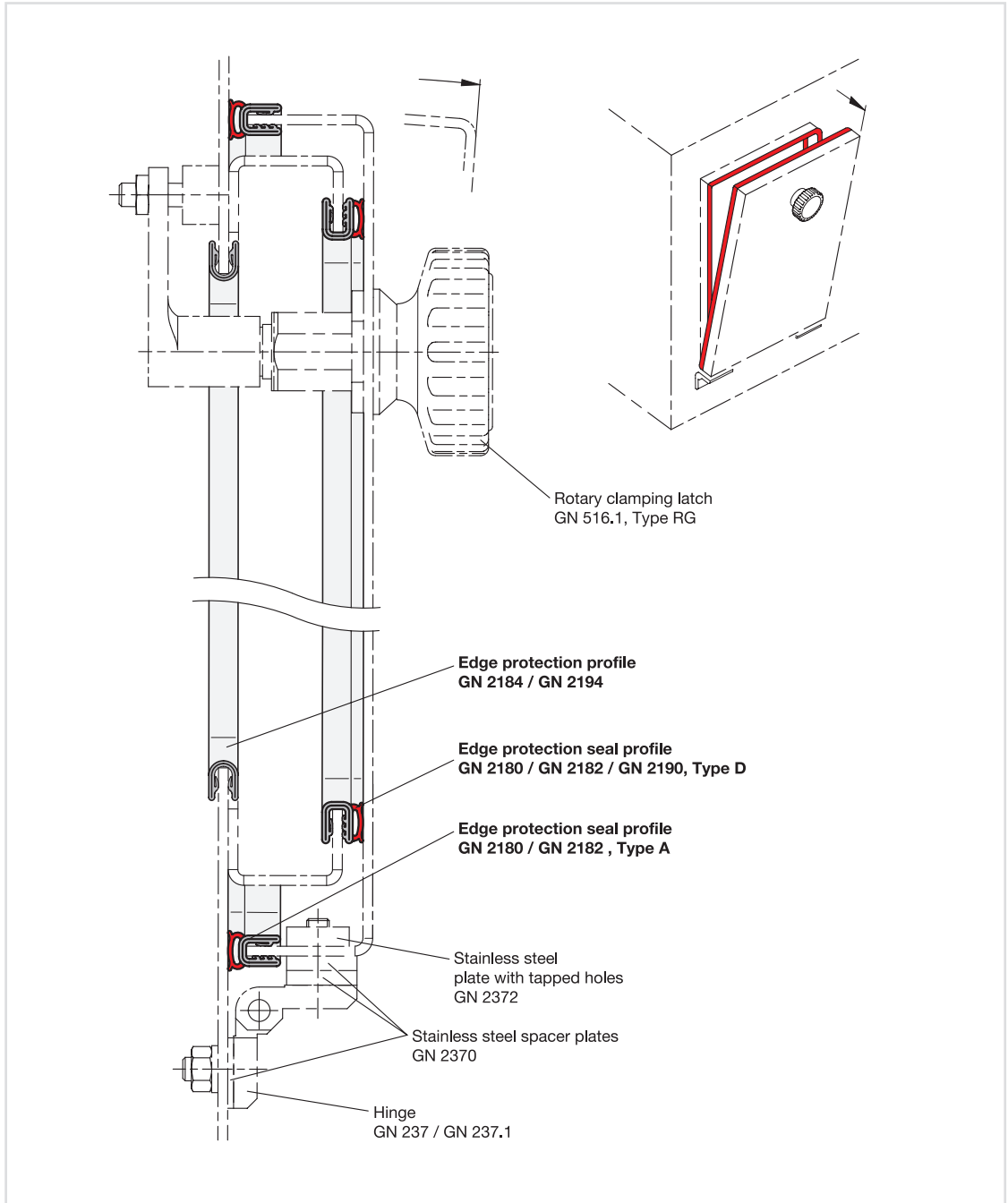


Application examples

With their versatility, edge protection profiles and/or edge protection seal profiles can be implemented in various applications, in conjunction with other Ganter products. In particular, combinations with product group 3.3 (Swinging, latching, locking of doors and covers) and product group 2.4 (Clamping, securing via clamping mechanisms) can achieve a variety of useful constructions.

see also...

- Latches → Page 1200 ff.
- Hinges → Page 1292 ff.
- Toggle Clamps → Page 852 ff.



Construction examples

The construction depicted shows a standard application of edge protection profiles and edge protection seal profiles. The edge protection seal profiles are attached to the door and the fixed frame. The opening for the door is covered with an edge protection profile at its cut edge.

