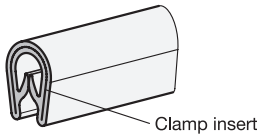
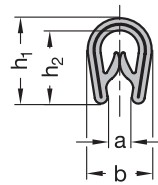




Profile cross section at $h_1 = 9.5 / 14$

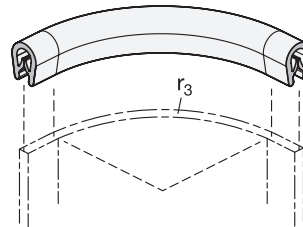
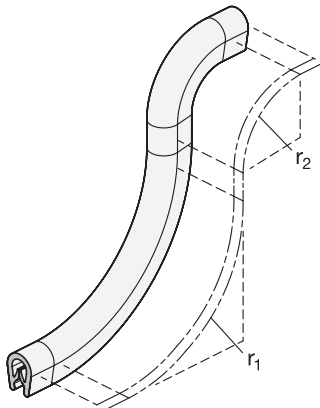


Clamp insert

$h_1 = 15$



$h_1 = 17.5$



1

3

h_1	Length l in meter		a Clamping area	b	h_2	r_1	r_2	r_3
9,5	20	50	1 - 2	6,5	8	15	10	10
14	20	50	1 - 4	10,5	12	25	25	25
15	20	50	6 - 8	13	12,75	15	30	20
17,5	20	50	4 - 6	12,25	15,5	30	45	15

Specification

- Profile
Polyvinyl Chloride (PVC)
- Black
- Hardness 70 ±5 Shore A
- Temperature resistant -40 °C to 90 °C
- Weather exposure

● SW

- Clamp insert
Steel clamping band
- *Plastic Characteristics* → Page 2158
- RoHS

On request

- Color white / gray

2

Information

Edge protection profiles GN 2184 are installed on the front edge of metal sheets and plates. They protect the surfaces from damage by sharp edges. The edge finish additionally achieves an optical decorative effect, while the need for potential further treatment such as burring and chamfering of cut or laser-cut metal sheets is reduced to an absolute minimum.

Adhering to the guideline placement radii ($r_1...r_3$) is recommended in order to guarantee permanent profile placement and to make assembly easier. Assembly can be carried out by hand, or alternatively with a soft-face hammer. The embedded clamp insert prevents it from detaching. Glue or other adhesive is not required.

see also...

- *Edge Protection Seal Profiles GN 2180* → Page 1274
- *Edge Protection Seal Profiles GN 2182* → Page 1278

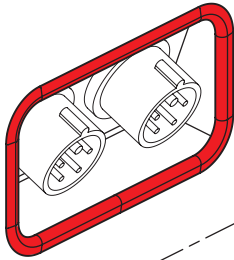
How to order

GN 2184-14-SW-50

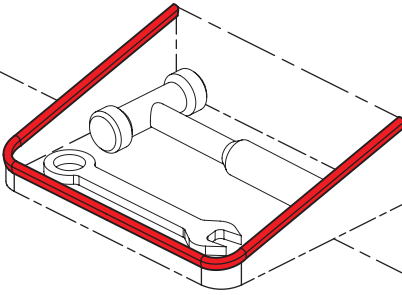
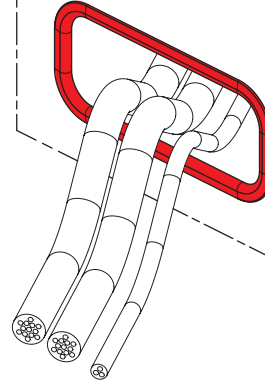
1	h_1
2	Color
3	Length l

Application examples for edge protection profiles GN 2184

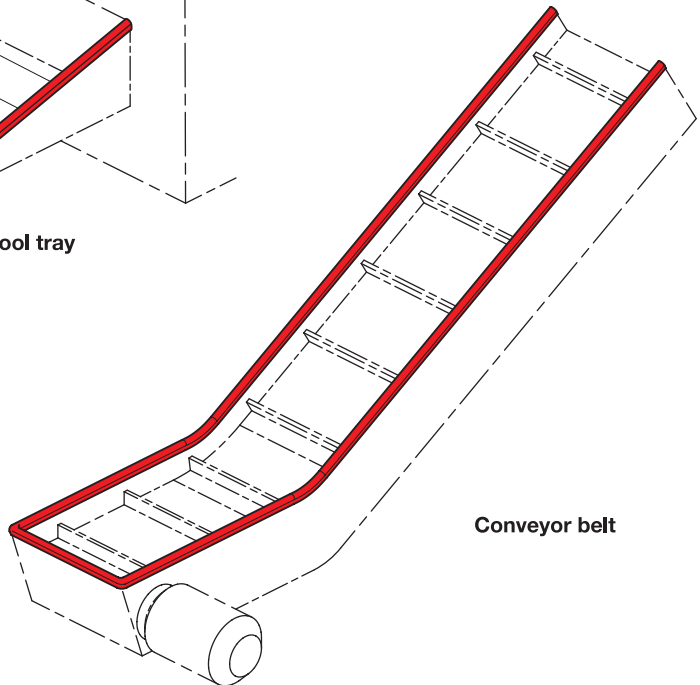
Cable duct / Socket duct



Cable duct



Tool tray



Conveyor belt

3.1

3.2

3.3

3.4

3.5

3.6

3.7

3.8

3.9

