

- 1
- 2
- 3
- 4
- 5
- 6
- 7
- 8
- 9
- 10
- 11
- 12
- 13
- 14
- 15
- 16
- 17
- 18

**MATERIAL**

Glass-fibre reinforced polyamide based (PA) technopolymer, black colour, matte finish.

**CONICAL FRICTION ELEMENT**

Glass-fibre reinforced polyamide based (PA) technopolymer, black colour, matte finish.

**EXPANSION ELEMENT**

Glass-fibre reinforced polyamide based (PA) technopolymer with tribological fillers, black colour, matte finish.

**ADJUSTING SCREW AND NUT**

AISI 304 stainless steel screw

AISI 316 stainless steel nut

**STANDARD EXECUTION**

Pass-through holes for M6 cylindrical head screws, hexagon socket.

**ROTATION ANGLE (APPROXIMATE VALUE)**

Max 270° (-90° and +180° being 0° the condition where the two interconnected surfaces are on the same plane).

Do not exceed the rotation limit angle so as not to prejudice the correct operation of the return spring.

**FEATURES AND APPLICATIONS**

The main feature of the CFU-RA hinge is the option to vary the resistant torque of the door when opening and closing.

It can therefore also be used to lock the door in a fixed position from time to time.

The adjustment system (ELESA patent) is activated by exerting force on a special screw located in the axis of the hinge, which allows the resistant torque of the hinge to be increased or decreased in a controlled manner in both directions.

The special geometries of these conical surfaces and the tribological characteristics of the different materials used, obtained with the use of special additives, have made it possible to optimise the maintenance of the resistant torque over time.

**RESISTANT TORQUE**

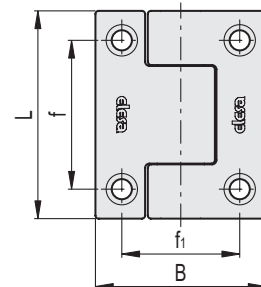
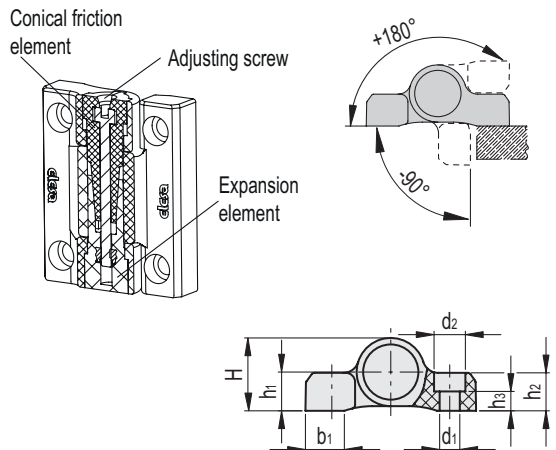
The maximum torque for locking the door in a certain position is around 5 Nm (approximate value, obtained by applying a torque of around 3 Nm to the adjustment screw). In applications where the door must be able to be moved, the maximum locking torque will be lower.

Over time, and also as a consequence of the environmental conditions, it may be necessary to use the adjustment screw to recover and maintain the desired resistant torque.

To choose the convenient type and the right number of hinges for your application, see the Guidelines (see page 1298).



ELESA Original design



Resistance tests	Axial Stress		Radial Stress		90° Angled Stress	
	Maximum working load Ea [N]	Load at breakag Ra [N]	Maximum working load Er [N]	Load at breakage Rr [N]	Maximum working load E90 [N]	Load at breakage R90 [N]
CFU-RA.67	900	3000	700	4500	800	3600

Codice	Descrizione	L	B	d1	d2	f	f1	H	h1	h3	b1	C# [Nm]	⚖️
427542	CFU-RA.67 CH-6	67	55	6.5	10	48	38	24	12.5	6.3	12.5	5	67

Hinges and accessories

2 # Suggested tightening torque for assembly screws.