

- 4 Type**
- E** Corner clamp
 - EB** Corner clamp with securing pin
 - F** Surface clamp
 - FA** Surface clamp with stop plate
 - FB** Surface clamp with securing pin

2		3				2	3
l_1	s	6	8	10	12	l_2	l_3
60	5	6	8	10	12	60	8,3

Specification

- Zinc die casting **ZD**
- Powder coated
 - Black, RAL 9005, textured finish ● **SW**
 - Silver, RAL 9006, textured finish ● **SR**
- Clamping screws
Stainless steel AISI 304
- Rubber inserts
Acrylonitrile butadiene rubber (NBR)
- Stop plate (type FA)
Stainless steel, AISI 316L
- Securing pins (type EB and FB)
 - Stainless steel AISI 304
 - Plastic coated polyamide (PA)
- *Plastic Characteristics* → Page QVX
- **RoHS**

Information

Clamps GN 939 are used to fasten panels of glass, plastic or other materials. Both corner and surface clamps are available, depending on the installation situation.

The panels are clamped between the rubber inserts. In addition, positive locking by means of a securing pin or stop plate can be selected as a type.

If the clamps are used with profile systems with 8 or 10 mm slots, the T-nuts GN 938.1 are available as mounting accessories. These enable simple alignment, secure the clamps against rotation, counteract possible stresses.

see also...

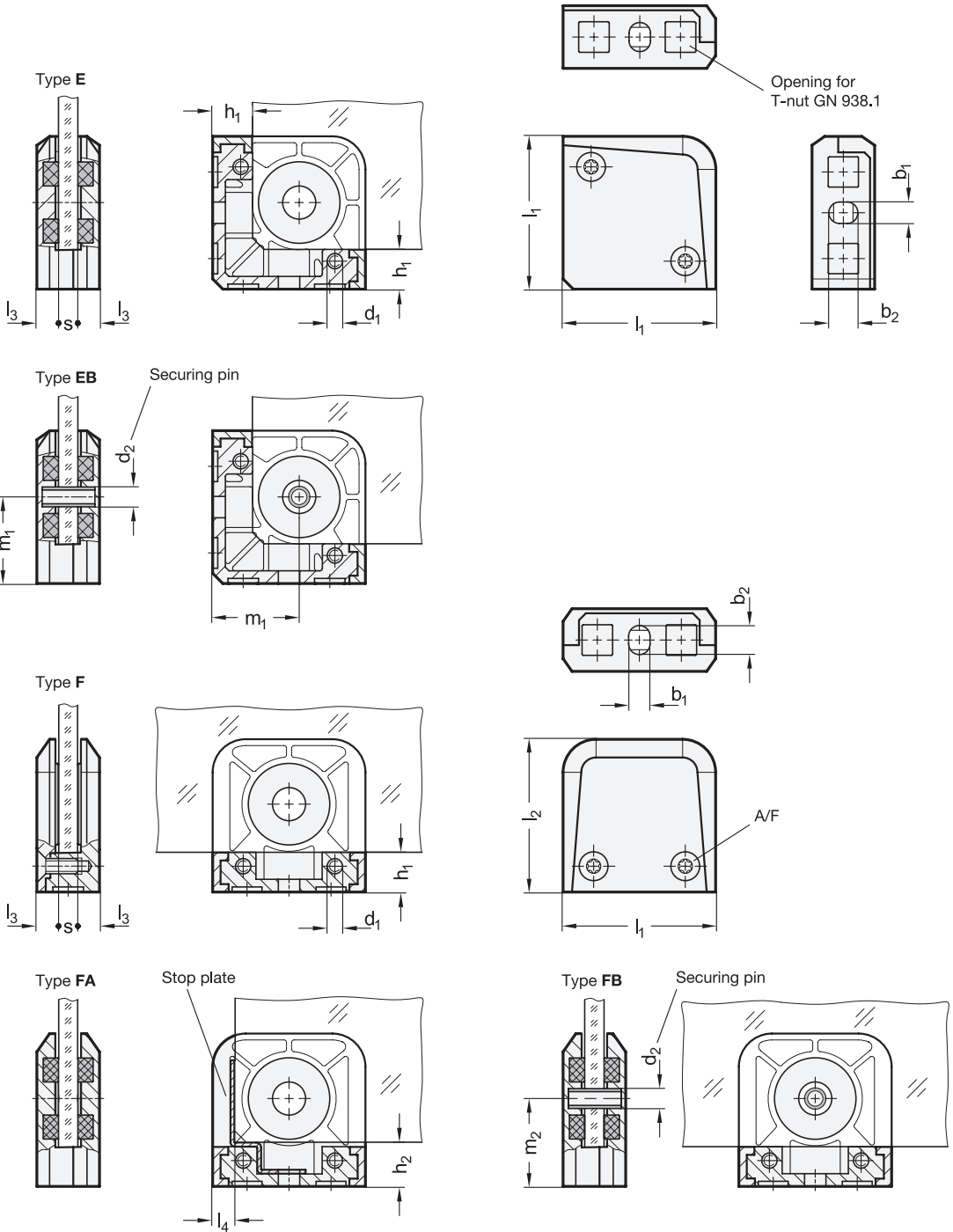
- *Product Family Standard Parts for Profile Systems* → Page QVX
- *Slam Latches GN 936* → Page QVX

Accessory

- T-Nuts GN 938.1-ZD-8

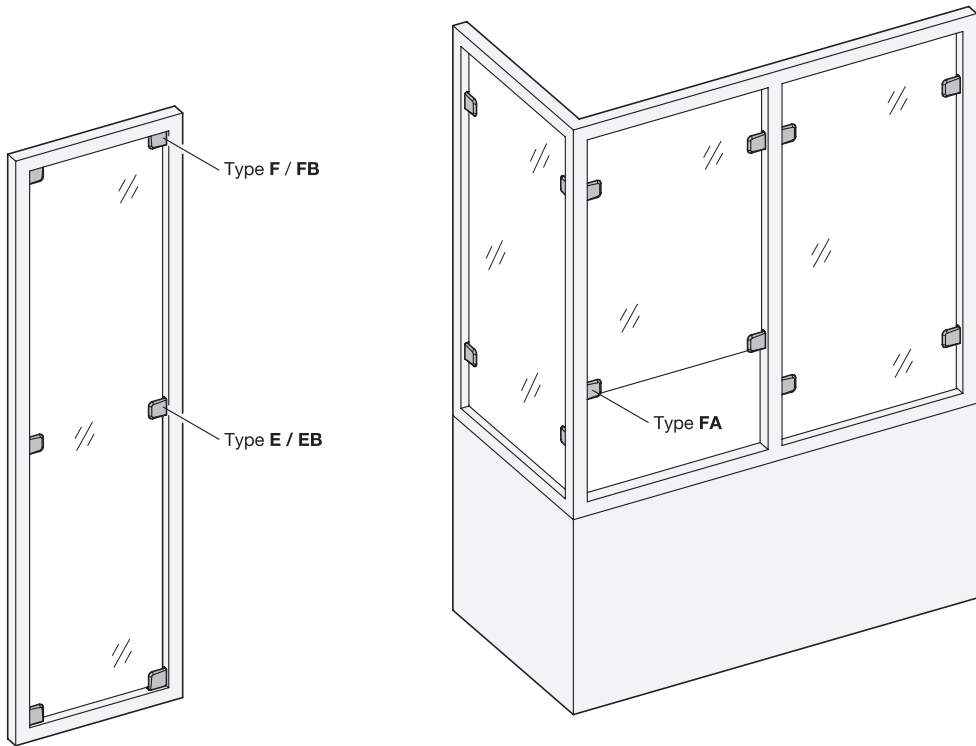
How to order		1	Material
		2	l_1
		3	s
		4	Type
		5	Finish

1 2 3 4 5
GN 939-ZD-60-5-FB-SW



l_1	b_1	b_2	d_1 Clamping screw	d_2	h_1	h_2	l_4	m_1	m_2	sw Torx
60	8,5	11,4	M 6	8,4	15,5	16,6	8,2	34	34,5	T30

Application examples



Assembly instruction

