

## STAINLESS STEEL DOOR HANDLE SLH

TEST  
METHOD 20 SUS

- All parts are made of stainless steel for high corrosion resistance.
- Has smooth streamlined shape and premium satin finish.
- Ergonomically designed. It is easy to hold any part of the handle.

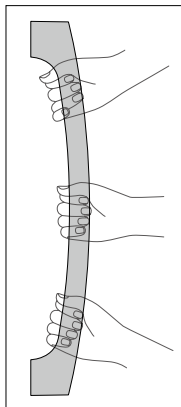


SLH-3240SH

SLH-3260SH

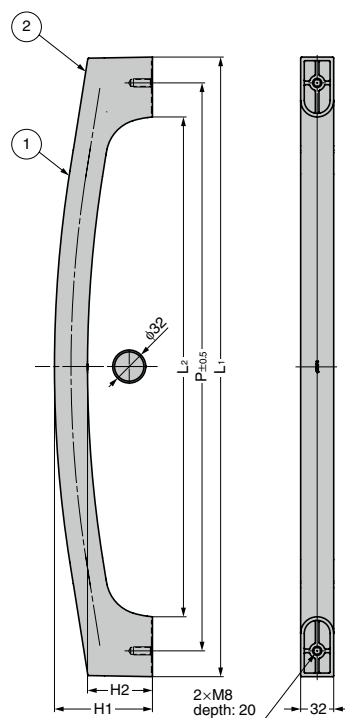
SLH-3280SH

## [Ergonomic Design]



Easy to hold any part of the handle.

## [Premium Satin Finish]



No.	Part Name	Material
①	Pipe	Stainless Steel (SUS304)
②	Bracket	Stainless Steel (SCS13)

RoHS	CAD	Item Code	Item Name	Finish	L <sub>1</sub>	L <sub>2</sub>	P	H <sub>1</sub>	H <sub>2</sub>	Load Capacity N	Load Capacity kgf	Weight (g)	Box (pc)
CE	3D	100-045-419	SLH-3240SH	Satin	400	284	350	87	55	600	61	2030	1
CE	3D	100-045-420	SLH-3260SH		600	484	550	95	63			2290	1
CE	3D	100-045-421	SLH-3280SH		800	684	750	102	70			2560	1