

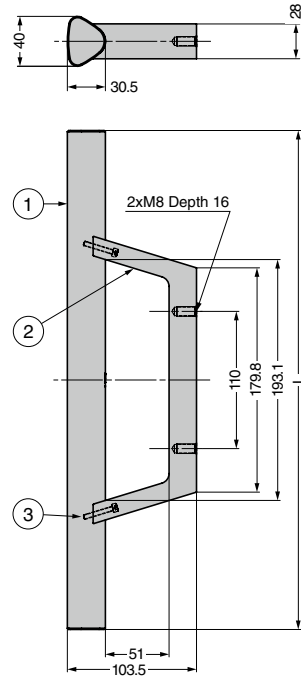
MACHINERY HANDLE TBH Straight Type



- Revolutionary design aesthetic combines purity of form with solidity of feel.
- Consists of a triangle-shaped bar and a bracket in the centre.
- Rich individuality and excellent overall coordination.

[Applications]

- Main doors of machine tools, etc.


[Video Link](#)


No.	Part Name	Material	Finish
①	Bar	Aluminium Alloy	Matte Silver/Anodised (SL) Matte Black/Anodised (BL)
②	Bracket	Zinc Alloy (ZDC)	Paint/Black
③	Hexagon Socket Head Bolt M4x35	Stainless steel	-

RHS	CAD	Item Code	Item Name	Bar / Finish	L	Load Capacity N	Load Capacity kgf	Weight (g)	Box (pcs)	Carton (pcs)	
		100-036-948	TBH-400SL	Matte Silver/Anodised	400	500	51	1877	1	5	
		100-036-949	TBH-400BL	Matte Black/Anodised					1	5	
		100-036-950	TBH-600SL	Matte Silver/Anodised	600			2363	2363	1	5
		100-036-951	TBH-600BL	Matte Black/Anodised						1	5