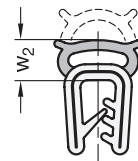
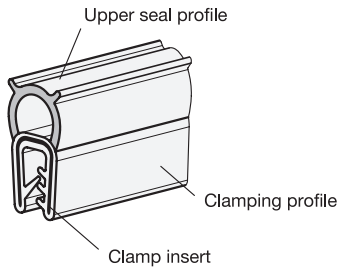
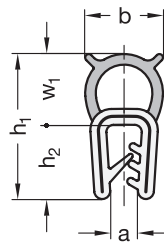
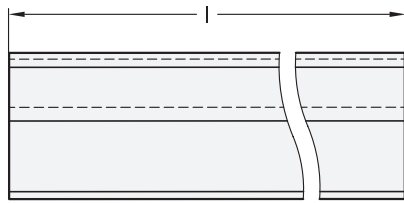


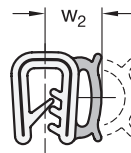
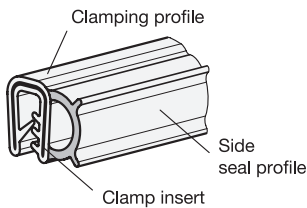
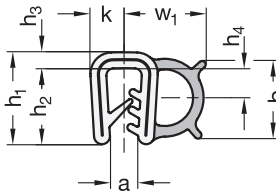
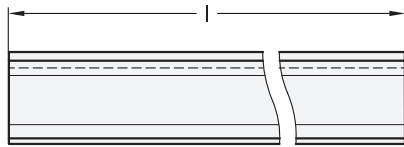
Type A



**3** Type

- A Upper seal profile
- D Side seal profile

Type D



**2** **4**

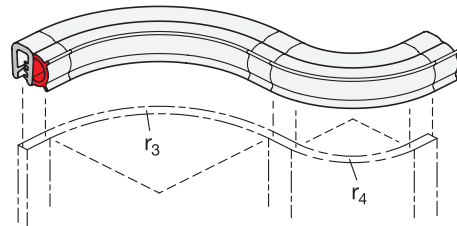
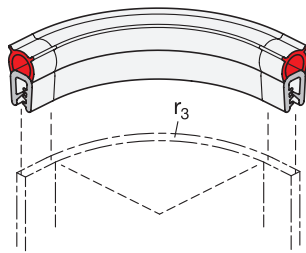
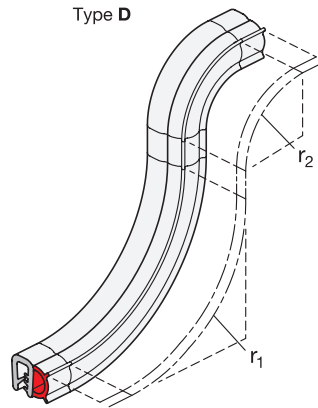
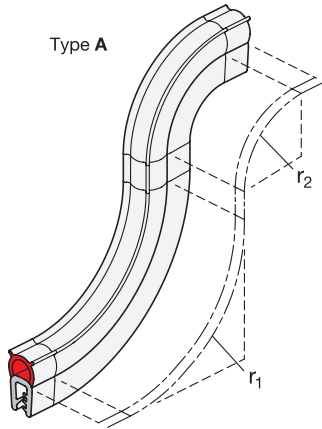
Type A

$h_1$	Length l in meter		a Clamping area	b	$h_2$	$r_1$	$r_2$	$r_3$	$w_1$	$w_2$ up to 50% permissible deformation
15,5	20	50	0,8 - 2,5	8,5	9	80	50	20	6,5	5
20,5	20	50	1 - 3,5	11	10,5	90	50	30	10	7

**2** **4**

Type D

$h_1$	Length l in meter		a Clamping area	b	$h_2$	$h_3$	$h_4$	k	$r_1$	$r_2$	$r_3$	$r_4$	$w_1$	$w_2$ up to 50% permissible deformation
11,5	20	50	0,8 - 2,5	8,75	9	2,5	3,75	4	30	40	80	40	8,5	6,75
13	20	50	1 - 3,5	11	10,75	2,25	4,5	4,75	40	50	100	80	11,25	8,75



**Specification**



- Clamping profile / Sealing profile  
Ethylene propylene diene rubber **EPDM**  
- Black  
- Clamping profile hardness 65±5 Shore A  
- Sealing profile hardness 25±5 Shore A  
- Temperature resistant -40 °C to 100 °C
- Acrylonitrile butadiene rubber **NBR**  
(only for sizes  $h_1 = 20,5$  and 13)  
- Black  
- Clamping profile hardness 60±5 Shore A  
- Sealing profile hardness 25±5 Shore A  
- Temperature resistant -30 °C to 100 °C
- Clamp insert  
Steel wire polyester clamping band
- *Elastomer Characteristics* → Page 2158
- RoHS

**Information**

Edge protection seal profiles GN 2180 can be used to seal doors, covers and hatches. The profiles are pressed by hand onto the front of metal sheets and plates. The embedded clamp insert prevents detachment. Glue or other adhesives are not required.

When assembled, the profile should deform slightly according to  $w_2$ . This ensures an optimal seal. Adherence to the guideline placement radii ( $r_1...r_4$ ) is recommended in order to ensure a tight profile seal and to make assembly easier.

The NBR profiles are recommended for use in cases where contact with fuels, oils or coolants can occur.

EPDM profiles are certified according to UL 50 and UL 94-HB and are therefore approved for the US-American and the Canadian market.

see also...

- *Technical Information* → Page 1273
- *Edge Protection Seal Profiles GN 2182* → Page 1278
- *Edge Protection Profiles GN 2184* → Page 1282

How to order

1	Material
2	$h_1$
3	Type
4	Length l

**GN 2180-EPDM-11,5-D-20**

3.1  
3.2  
3.3  
3.4  
3.5  
3.6  
3.7  
3.8  
3.9

