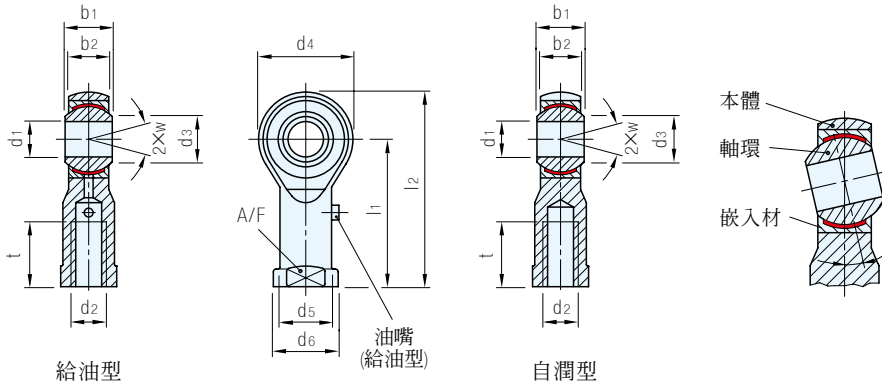




| | 本體 | 軸環 | 嵌入材 |
|-----|------|------|---------------|
| 給油型 | 鋼・鍍鋅 | 鋼・硬化 | 銅 |
| 自潤型 | 鋼・鍍鋅 | 鋼・硬化 | 鋼・鍍鋅 +PTFE |



| 給油型 | | | | 自潤型 | | | | d1 H7 | d2 | b1 -0.12 | b2 | d3 | d4 | d5 | d6 | l1 | l2 | sw | t | w |
|--------------|----|--------------|----|--------------|----|--------------|----|----------|---------|-------------|------|------|----|------|----|-----|-----|----|----|-----|
| 品號 | 品號 | 品號 | 品號 | 品號 | 品號 | 品號 | 品號 | | | | | | | | | | | | | |
| 右牙 | 單價 | 左牙 | 單價 | 右牙 | 單價 | 左牙 | 單價 | | | | | | | | | | | | | |
| SGR648.1-010 | • | SGR648.1-110 | • | SGR648.1-210 | • | SGR648.1-310 | • | 5 | M 5 | 8 | 6 | 7.7 | 18 | 9 | 11 | 27 | 36 | 9 | 10 | 13° |
| SGR648.1-011 | • | SGR648.1-111 | • | SGR648.1-211 | • | SGR648.1-311 | • | 6 | M 6 | 9 | 6.75 | 8.9 | 20 | 10 | 13 | 30 | 40 | 11 | 12 | 13° |
| SGR648.1-012 | • | SGR648.1-112 | • | SGR648.1-212 | • | SGR648.1-312 | • | 8 | M 8 | 12 | 9 | 10.4 | 24 | 12.5 | 16 | 36 | 48 | 13 | 16 | 14° |
| SGR648.1-013 | • | SGR648.1-113 | • | SGR648.1-213 | • | SGR648.1-313 | • | 10 | M10 | 14 | 10.5 | 12.9 | 28 | 15 | 19 | 43 | 57 | 17 | 20 | 13° |
| SGR648.1-014 | • | SGR648.1-114 | • | SGR648.1-214 | • | SGR648.1-314 | • | 12 | M12 | 16 | 12 | 15.4 | 32 | 17.5 | 22 | 50 | 66 | 19 | 22 | 13° |
| SGR648.1-015 | • | SGR648.1-115 | • | SGR648.1-215 | • | SGR648.1-315 | • | 14 | M14 | 19 | 13.5 | 16.8 | 36 | 20 | 25 | 57 | 75 | 22 | 25 | 16° |
| SGR648.1-016 | • | SGR648.1-116 | • | SGR648.1-216 | • | SGR648.1-316 | • | 16 | M16 | 21 | 15 | 19.3 | 42 | 22 | 27 | 64 | 85 | 22 | 28 | 15° |
| SGR648.1-017 | • | SGR648.1-117 | • | SGR648.1-217 | • | SGR648.1-317 | • | 18 | M18×1.5 | 23 | 16.5 | 21.8 | 46 | 25 | 31 | 71 | 94 | 27 | 32 | 15° |
| SGR648.1-018 | • | SGR648.1-118 | • | SGR648.1-218 | • | SGR648.1-318 | • | 20 | M20×1.5 | 25 | 18 | 24.3 | 50 | 27.5 | 34 | 77 | 102 | 32 | 33 | 14° |
| SGR648.1-019 | • | SGR648.1-119 | • | SGR648.1-219 | • | SGR648.1-319 | • | 22 | M22×1.5 | 28 | 20 | 25.8 | 54 | 30 | 37 | 84 | 111 | 32 | 37 | 15° |
| SGR648.1-020 | • | SGR648.1-120 | • | SGR648.1-220 | • | SGR648.1-320 | • | 25 | M24×2 | 31 | 22 | 29.6 | 60 | 33.5 | 42 | 94 | 124 | 36 | 42 | 15° |
| - | | - | | SGR648.1-221 | • | SGR648.1-321 | • | 30 | M30×2 | 37 | 25 | 34.8 | 70 | 40 | 51 | 110 | 145 | 41 | 51 | 17° |

訂貨： 交期： d₂ ≤ M20
 SGR648.1-010 d₂ ≥ M22