

- 1
- 2
- 3
- 4
- 5
- 6
- 7
- 8
- 9
- 10
- 11
- 12
- 13
- 14
- 15
- 16
- 17
- 18

COVER

Polyamide based (PA) technopolymer, black colour, semi-matte finish.

FITTING

Polyamide based (PA) technopolymer, black colour, semi-matte finish. Equipped with elastic coupling system.

SPLASH GUARD

Technopolymer.

AIR FILTER

"Tech-foam" polyurethane foam (polyester base), air filtration 40 μ.

MAXIMUM CONTINUOUS WORKING TEMPERATURE

100°C.

FEATURES AND APPLICATIONS

The SFP-RT breather caps are equipped with an elastic coupling system that allows them to be used with rubber tubes (see Fig. 1).

Insert the breather cap all the way inside the tube.

In the case of rubber tubes with very high tolerances compared to the nominal diameter, a tube tie can be used to ensure tight coupling.

The SFP-RT breather caps come complete with a splash guard device that prevents oil loss (Elesa original design) and are particularly suitable for use in tanks where oil is violently agitated and could be splashed against the breather cap.

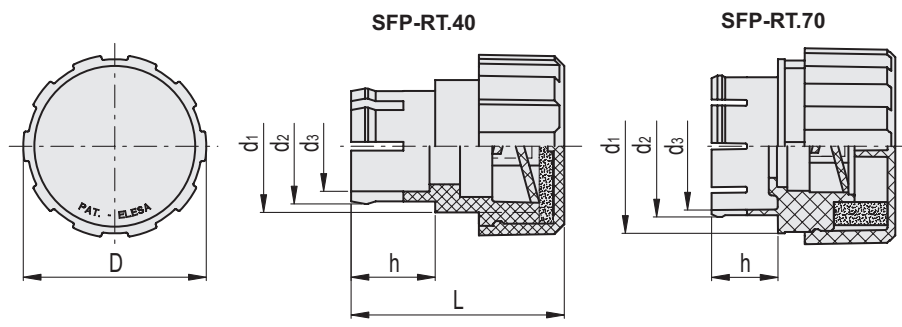
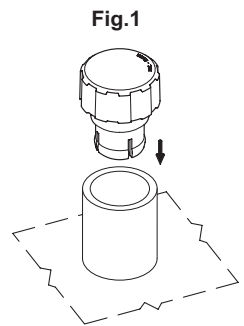
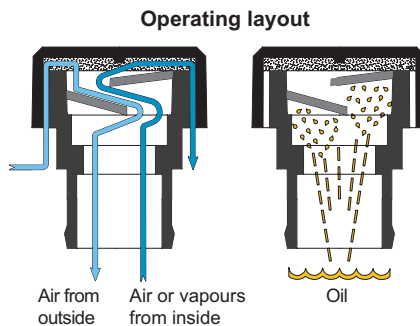
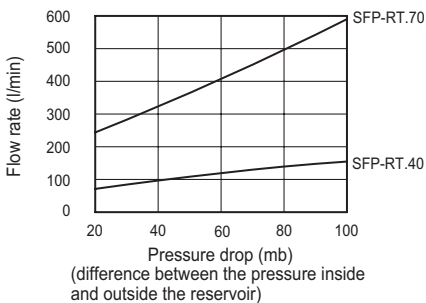
Mounting on 1" diameter (SFP-RT.40) or 2" diameter (SFP-RT.70) rubber tubes.

TECHNICAL DATA

Air flow rate for the different executions of breather caps can be obtained from the diagram on the basis of the difference of air pressure inside and outside the reservoir.



ELESA Original design



Code	Description	D	L	d1	d2	d3	h	Δ
56685	SFP-RT.40+F FOAM-C9	42	49	30	26.5	21	19	24
54885	SFP-RT.70+F FOAM-C9	70	67.5	64	52	47	24	83

Accessories for hydraulic systems