

# STAINLESS STEEL PUSH LOCK FASTENER 152FT Mini/Flush Type



- Insert plug into socket and push to lock/unlock.
- Flush locked design prevents accidental release. Push with sharp-pointed object to release.
- Fast and easy installation/removal of panel.
- Locked cam prevents release by vibration.
- Stainless steel construction suitable for corrosive environments.

**[Remarks]**

- Load applied directly to the body may cause damage.

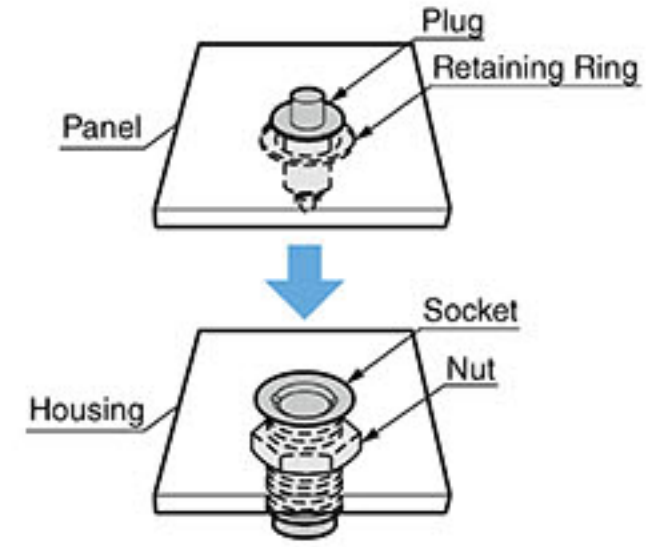
**[When plug is pushed]**



**[Installation Image]**



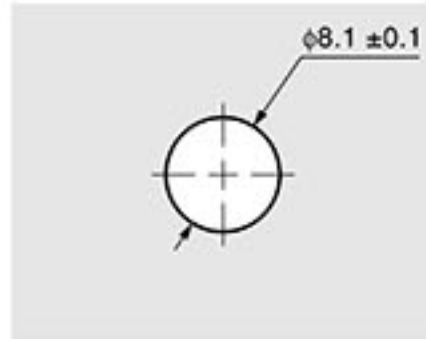
Flush to prevent release afterward



**[Panel Side Mounting Hole Dimensions]**

● **Hole**

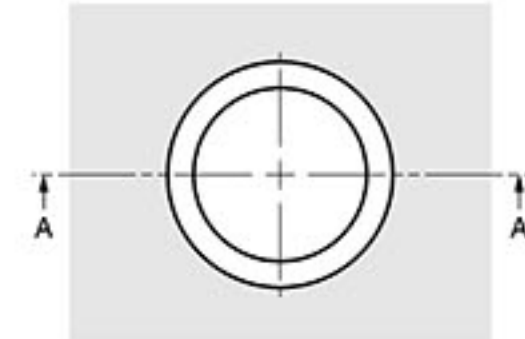
Door thickness  $T_1 = 0.8$  to  $4.8$



**[Housing Side Mounting Hole Dimensions]**

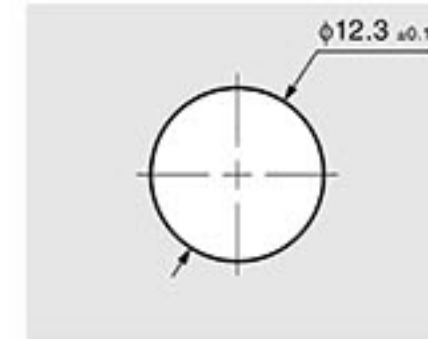
● **Countersink hole**

Door thickness  $T_2 = 2.2$  to  $9$

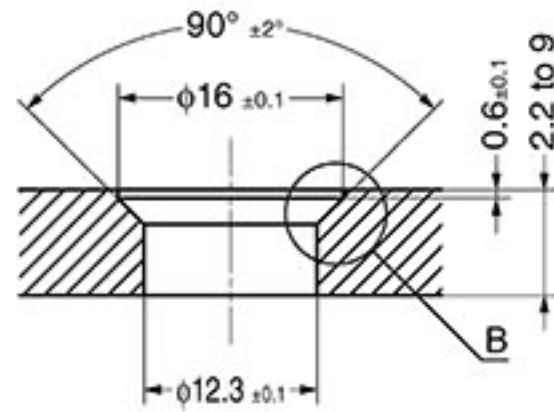


● **No countersink hole**

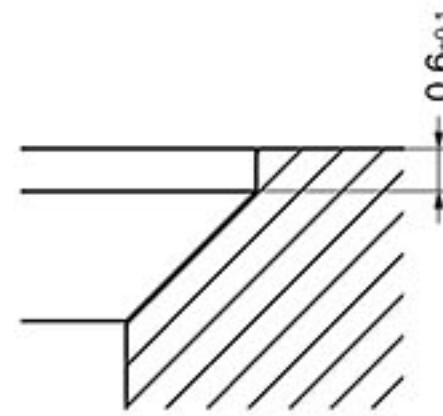
Door thickness  $T_2 = 0.8$  to  $7.5$



Consists of four parts: "plug", "ring", "socket" and "nut".



A-A Cross-Section

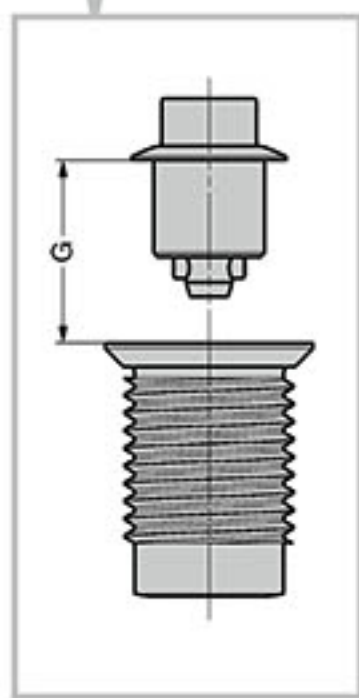


Detailed Figure B

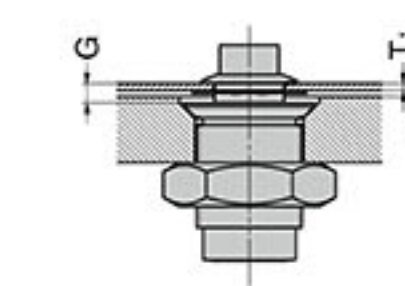
**[Grip Dimensions]**

**Grip dimension G**

The distance from the plug flange bottom surface to the socket top surface is the grip dimension G. Set so that the grip dimension G is 1.2 to 6.

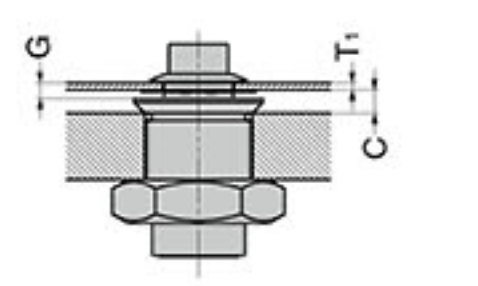


● **For countersink hole**

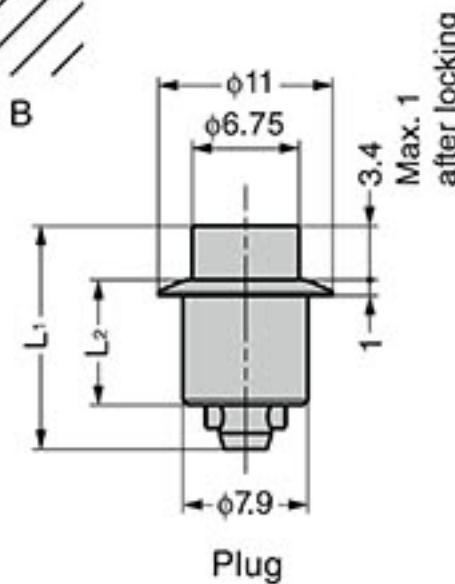


$G = \text{panel thickness } T_1 + \text{clearance } C + 0.7$

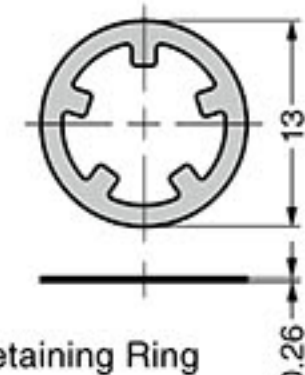
● **For non-countersink hole**



$G = \text{panel thickness } T_1 + \text{clearance } C - 1.7$   
Clearance  $C = 2.4$  or higher

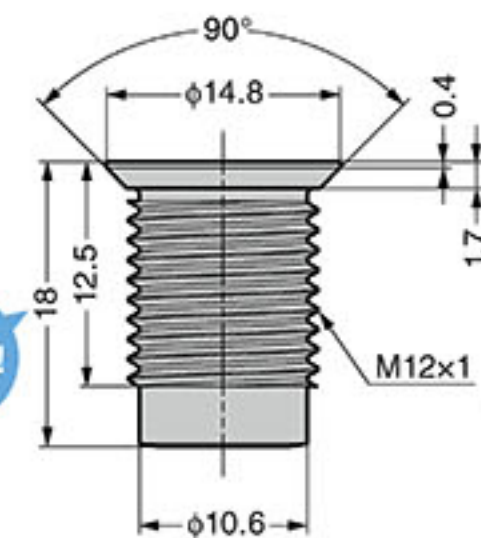


Plug

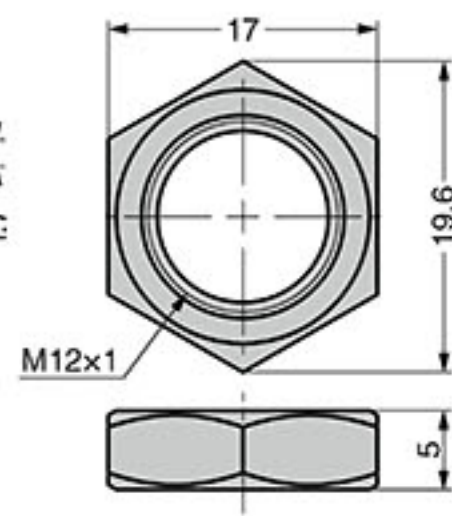


Retaining Ring

Short!



Socket



Nut

| RoHS | CAD | Item Code   | Item Name   | Material        | Grip Dimension G | Plug Dimension L <sub>1</sub> | Plug Dimension L <sub>2</sub> | Retaining Force N | Retaining Force kgf | Weight (g) |
|------|-----|-------------|-------------|-----------------|------------------|-------------------------------|-------------------------------|-------------------|---------------------|------------|
| ✓    | 3D  | 120-050-628 | 152FT-12-SS | Stainless Steel | 1.2~2            | 14.1                          | 7.9                           | 147               | 15                  | 18         |
| ✓    | 3D  | 120-050-629 | 152FT-20-SS |                 | 2~2.8            | 14.9                          |                               |                   |                     |            |
| ✓    | 3D  | 120-050-630 | 152FT-28-SS |                 | 2.8~3.6          | 15.7                          |                               |                   |                     |            |
| ✓    | 3D  | 120-050-631 | 152FT-36-SS |                 | 3.6~4.4          | 16.5                          | 10.3                          |                   |                     |            |
| ✓    | 3D  | 120-050-632 | 152FT-44-SS |                 | 4.4~5.2          | 17.3                          |                               |                   |                     |            |
| ✓    | 3D  | 120-050-633 | 152FT-52-SS |                 | 5.2~6            | 18.1                          |                               |                   |                     |            |