

# PUSH LOCK FASTENER 149FN Push-turn Type for Horizontal Use Only



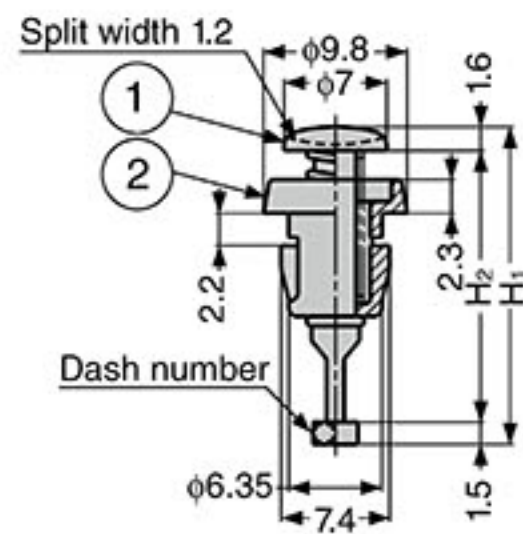
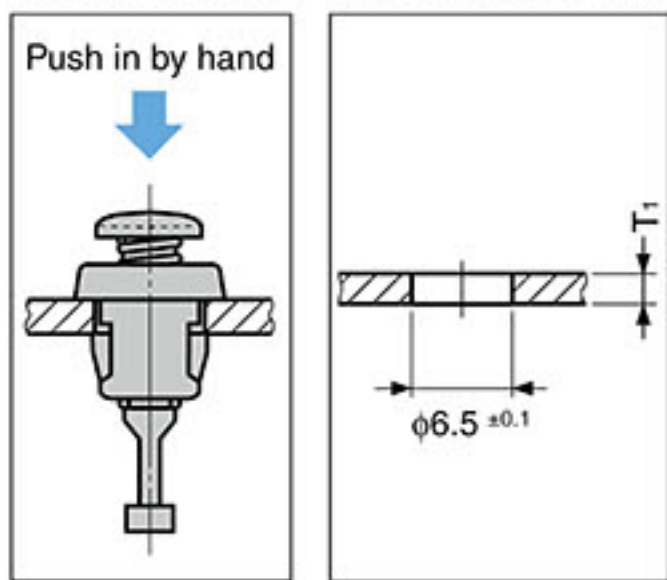
- Just push in the pin to lock and rotate its head to remove. An easily operated fastener for definite connection.
- Lock can be opened just by rotating the pin head 90° to left or right with a screwdriver.
- Composed of two parts (plug body and socket), each with one-touch installation.

### [Remarks]

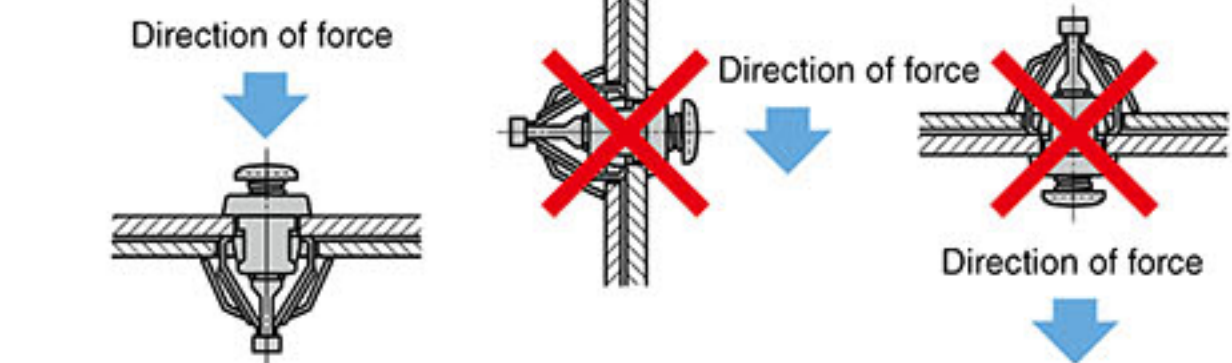
- For horizontal use only. Use for sideways or ceiling mounting, with load directly applied to the body, may cause damage.

### [Plug]

Installation Dimensions    Mounting Hole Dimensions



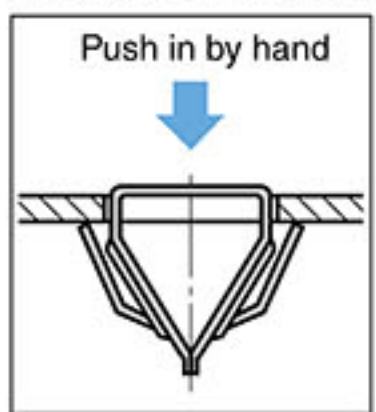
### [Application Example]



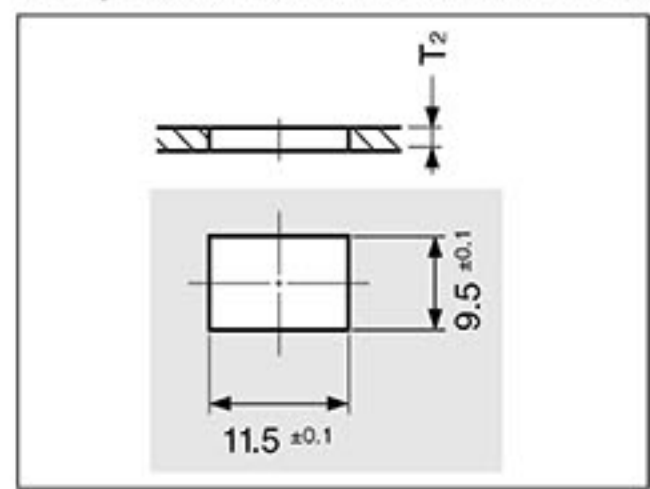
No.	Part Name	Material	Finish/Colour
①	Pin	Stainless Steel (SUS430)	Plain
②	Cap	Polyacetal (POM)	Grey

### [Socket]

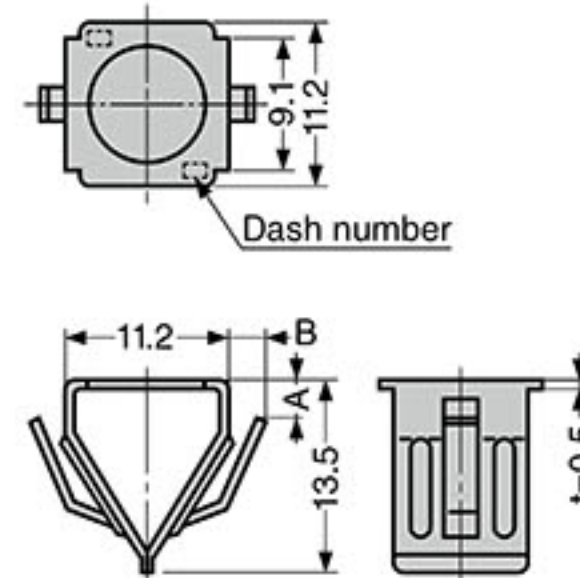
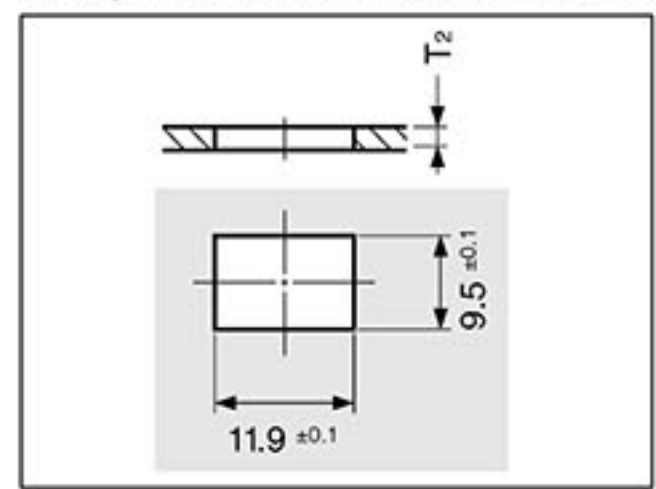
Installation Dimensions



Mounting Hole Dimensions: When board thickness  $T_2=1.2 - 2.5$

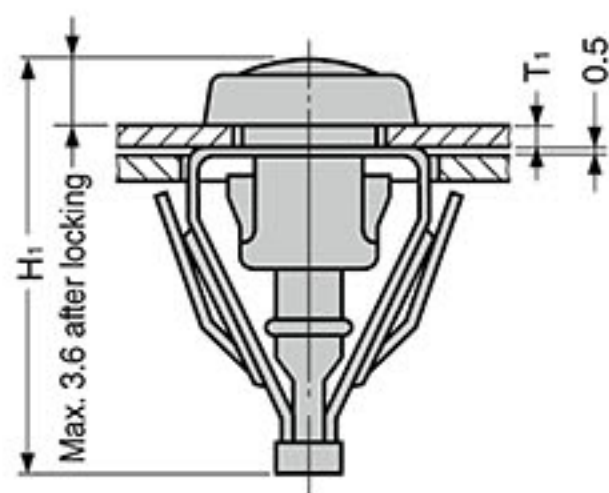


Mounting Hole Dimensions: When board thickness  $T_2=2.6$

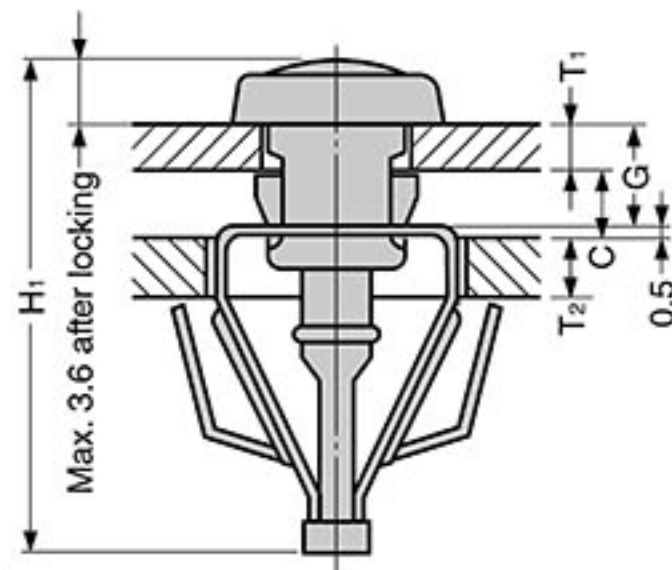


### [Plug Selection]

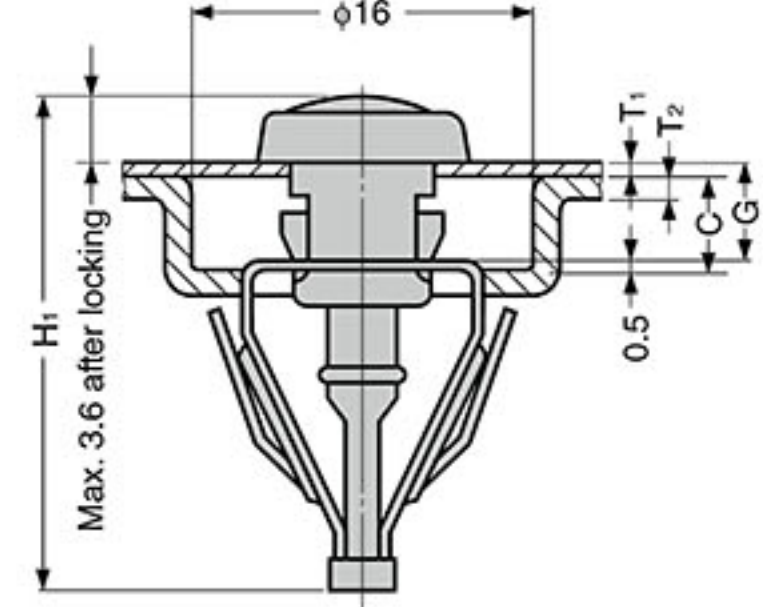
Ⓐ Plug board thickness  $T_1$  is thin (0.6 - 2.2mm)



Ⓑ Clearance C between plug board thickness  $T_1$  and socket board thickness  $T_2$



Ⓒ No clearance C between plug board thickness  $T_1$  and socket board thickness  $T_2$



Ⓐ

Item Name	Plug Board Thickness $T_1$	$H_1$
149FN-1-2/149FN-1-3	0.6 - 1.4	19.2
149FN-2-2/149FN-2-3	1.4 - 2.2	20

Ⓑ, Ⓒ

Item Name	$G=T_1+C-0.5$	Plug Board Thickness $T_1$	C
149FN-1-2/149FN-1-3	0.6 - 1.4	0.6 - 1.4	1.3 - 0.5
149FN-2-2/149FN-2-3	1.4 - 2.2	0.6 - 2.2	2.1 - 0.5

Note) The combination of  $T_1$  and C in each line of the table above refers to [ $T_1+C-0.5 \leq G$  max. value].

1.  $T_1(0.8)+C(1.0)-(0.5)=G$

2.  $T_1(0.8)+C(1.3)-(0.5)=G$

$G=1.3 \rightarrow$  Use 149FN-1-2/149FN-1-3

$G=1.6 \rightarrow$  Use 149FN-2-2/149FN-2-3

Sold in pairs (plug and socket 1 pc each). When ordering, "1" is for one set.

RoHS	CAD	Item Code	Item Name	$H_1$	$H_2$	A	B	Socket Board Thickness $T_2$	Socket Material	Weight (g)
RoHS	3D	120-052-835	149FN-1-2	19.2	16.1	2.9	1.5	1.2 - 1.8	Stainless Steel (SUS304)	3
RoHS	3D	120-052-836	149FN-1-3			3.8	2.1	1.8 - 2.6		
RoHS	3D	120-052-837	149FN-2-2	20	16.9	2.9	1.5	1.2 - 1.8		
RoHS	3D	120-052-838	149FN-2-3			3.8	2.1	1.8 - 2.6		