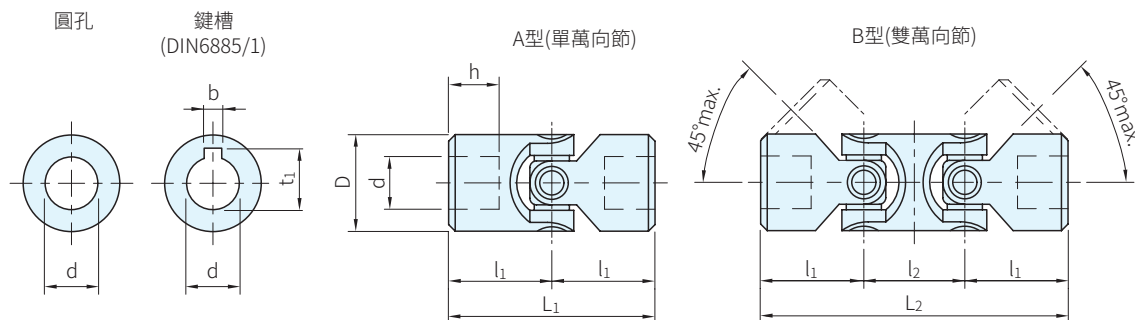




材質
硬化鋼



A 型		B 型		L ₁	L ₂	l ₂	D	l ₁	d (H7)	b	t ₁	h max. +1 0	庫存
圓孔 品號	鍵槽 品號	圓孔 品號	鍵槽 品號										
SGR808-0010	-	SGR808-0110	-	34	56	22	16	17	6	2	7	8	△
SGR808-0012		SGR808-0112		40	62			20	8	2	9	11	11
SGR808-0014	SGR808-0210	SGR808-0114	SGR808-0310	52	74	26	22	26	10	3	11.4	14	△
SGR808-0016	SGR808-0212	SGR808-0116	SGR808-0312	48				24				12	12
SGR808-0018	SGR808-0214	SGR808-0118	SGR808-0314	62	88	30	25	31	12	4	13.8	18	△
SGR808-0020	SGR808-0216	SGR808-0120	SGR808-0316	56	86			28				13	△
SGR808-0022	SGR808-0218	SGR808-0122	SGR808-0318	74	104	36	28	37	16	5	18.3	21	△
SGR808-0024	SGR808-0220	SGR808-0124	SGR808-0320	60	96			34	14	5	16.3	13	△
SGR808-0026	SGR808-0222	SGR808-0126	SGR808-0322	68	105	37	32	34	16	5	18.3	16	△
SGR808-0028	SGR808-0224	SGR808-0128	SGR808-0324	86	124	38		43	20	6	22.8	24	△
SGR808-0030	SGR808-0226	SGR808-0130	SGR808-0326	74	114	40	36	37	18	6	20.8	17	△
SGR808-0032	SGR808-0228	SGR808-0132	SGR808-0328	82	128	46	42	41	20	6	22.8	18	△
SGR808-0034	SGR808-0230	SGR808-0134	SGR808-0330	108	156	48		54	25	8	28.3	31	△
SGR808-0036	SGR808-0232	SGR808-0136	SGR808-0332	95	145	50	45	47.5	22	6	24.8	22	△
SGR808-0038	SGR808-0234	SGR808-0138	SGR808-0334	108	163	55	50	54	25	8	28.3	26	△
SGR808-0040	SGR808-0236	SGR808-0140	SGR808-0336	132	188	56		66	30	8	33.3	38	△
SGR808-0042	SGR808-0238	SGR808-0142	SGR808-0338	122	190	68	61	29				△	
SGR808-0044	SGR808-0240	SGR808-0144	SGR808-0340	130	198		58	58	65	32	10	35.3	33

Ps. 備註

- 方孔是訂製品項，歡迎洽詢
- h 尺寸為最大軸組裝長度

Wa. 注意

- 最大轉速和扭力請參考前頁

訂貨： 交期： 天

SGR808-0010