

- 1
- 2
- 3
- 4
- 5
- 6
- 7
- 8
- 9
- 10
- 11
- 12
- 13
- 14
- 15
- 16
- 17
- 18

MATERIAL

Glass-fibre reinforced polyamide based (PA) SUPER-technopolymer, black colour, matte finish.

ROTATING PIN

AISI 304 stainless steel.

STANDARD EXECUTION

Pass-through holes for M5 countersunk head screws.

FEATURES AND APPLICATIONS

The CFBS hinge is made up of two elements of different sizes and a rotation pin to be inserted upon assembly.

They can be installed on folded sheet metal doors, with the possibility of also applying a seal between the door and the frame (see fig. 1).

ASSEMBLY INSTRUCTIONS

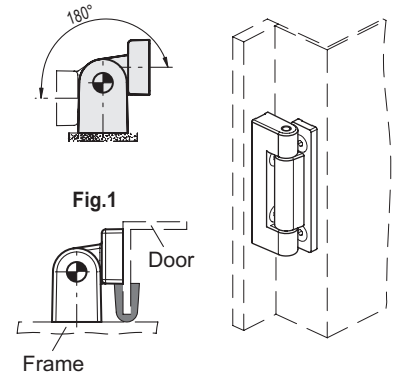
- Assemble the two elements, one on the jamb side and one on the door side.
- Use a suitable tool to insert the rotation pin from the non-knurled side until it locks into the hinge body.

ROTATION ANGLE (APPROXIMATE VALUE)

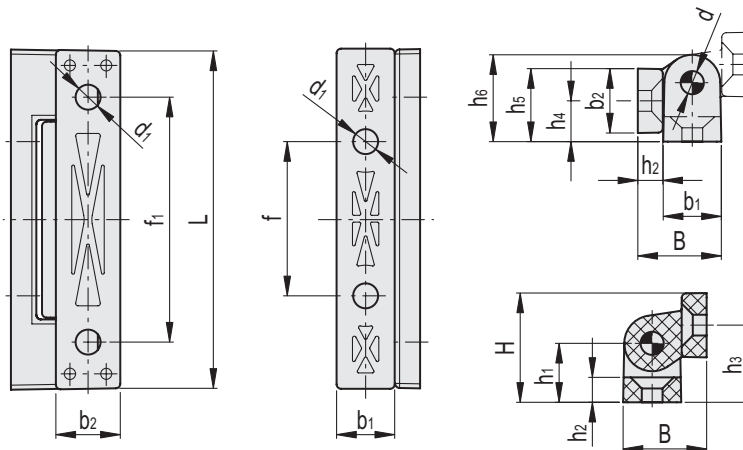
Max 180° (0° and +180° being 0° the condition where the two interconnected surfaces are on the same plane).

Do not exceed the rotation angle limit so as not to prejudice the hinge mechanical performance.

To choose the convenient type and the right number of hinges for your application, see the Guidelines (see page -).



Description	Axial Stress		Radial Stress		90° Angled Stress	
	Maximum working load Ea [N]	Load at breakage Ra [N]	Maximum working load Er [N]	Load at breakage Rr [N]	Maximum working load E90 [N]	Load at breakage R90 [N]
CFBS.75-13 SH-5	500	3400	2000	3200	1500	2800
CFBS.75-18 SH-5	600	4500	2000	3200	1000	3500
CFBS.75-23 SH-5	800	4500	2000	3200	900	3500



Code	Description	L	B	d1	h2	f±0.25	f1 ±0.25	H	h1	h3	h4	h5	h6	b1	b2	d	C# [Nm]	ΔΔ
422551	CFBS.75-13 SH-5	75	18.5	5.5	5.5	34	54	24	13	17	9	16	19	13	14.5	5	4	40
422553	CFBS.75-19 SH-5	75	18.5	5.5	5.5	34	54	30	19	23	15	22	25	13	14.5	5	4	47
422555	CFBS.75-23 SH-5	75	18.5	5.5	5.5	34	54	34.5	23.5	27.5	19.5	26.5	29.5	13	14.5	5	4	52