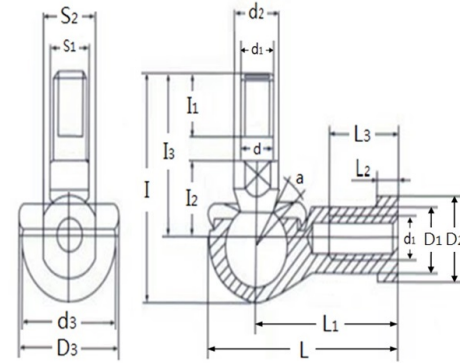


HE、HE-L系列 L型桿端關節



型號	螺紋牙型	d ₁ (MxP)	d (mm)	d ₂ (mm)	d ₃ (mm)	l (mm)	l ₁ (mm)	l ₂ (mm)	l ₃ (mm)	S ₁ (mm)	L (mm)	L ₁ (mm)	L ₂ (mm)	L ₃ (mm)	D ₁ (mm)	D ₂ (mm)	D ₃ (mm)	S ₂ (mm)	a	允許負荷 (KN)	重量 (kg)
HE5-RS	右螺紋	M5x0.8	5	9	19	29	8	10	21	7	35	27	4	14	9	11	16	9	25	2.2	0.026
HE6-RS	右螺紋	M6x1	6	10	20	35.5	11	11	26	8	40	30	5	14	10	13	19	11	25	3.5	0.039
HE8-RS	右螺紋	M8x1.25	8	12	24	42.5	12	14	31	10	48	36	5	17	12.5	16	23	14	25	6.6	0.068
HE10-RS	右螺紋	M10x1.25	10	14	30	50.5	15	17	37	11	57	43	6.5	21	15	19	27	17	25	10	0.112
HE10-RS-1	右螺紋	M10x1.5	10	14	30	56.5	21	17	43	11	57	43	6.5	21	15	19	27	17	25	10	0.112
HE12-RS	右螺紋	M12x1.25	12	17	32	57.5	17	19	42	15	66	50	6.5	25	17.5	22	31	19	25	16	0.164
HE12-RS-1	右螺紋	M12x1.75	12	17	32	64.5	24	19	49	15	66	50	6.5	25	17.5	22	31	19	25	16	0.164
HE14-RS	右螺紋	M14x1.5	14	19	38	73.5	22	21.5	56	17	75	57	8	26	20	25	35	22	25	19	0.254
HE14-RS-1	右螺紋	M14x2	14	19	38	79.5	28	21.5	62	17	75	57	8	26	20	25	35	22	25	19	0.254
HE16-RS	右螺紋	M16x1.5	16	22	44	79.5	23	23.5	60	19	84	64	8	32	22	27	39	22	20	26	0.336
HE16-RS-1	右螺紋	M16x2	16	22	44	85.5	29	23.5	66	19	84	64	8	32	22	27	39	22	20	26	0.336
HE18-RS	右螺紋	M18x1.5	18	23	45	90	25	26.5	68	20	93	71	10	34	25	31	44	27	20	33	0.464
HE20-RS	右螺紋	M20x1.5	20	27	50	90	25	27	68	24	99	77	10	35	27.5	34	44	30	20	45	0.538
HE22-RS	右螺紋	M22x1.5	22	27	52	95	26	28	70	24	109	84	12	41	30	37	50	32	16	48	0.713
HE5-RS-L	左螺紋	M5x0.8	5	9	19	29	8	10	21	7	35	27	4	14	9	11	16	9	25	2.2	0.026
HE6-RS-L	左螺紋	M6x1	6	10	20	35.5	11	11	26	8	40	30	5	14	10	13	19	11	25	3.5	0.039
HE8-RS-L	左螺紋	M8x1.25	8	12	24	42.5	12	14	31	10	48	36	5	17	12.5	16	23	14	25	6.6	0.068
HE10-RS-L	左螺紋	M10x1.25	10	14	30	50.5	15	17	37	11	57	43	6.5	21	15	19	27	17	25	10	0.112
HE10-RS-1-L	左螺紋	M10x1.5	10	14	30	56.5	21	17	43	11	57	43	6.5	21	15	19	27	17	25	10	0.112
HE12-RS-L	左螺紋	M12x1.25	12	17	32	57.5	17	19	42	15	66	50	6.5	25	17.5	22	31	19	25	16	0.164
HE12-RS-1-L	左螺紋	M12x1.75	12	17	32	64.5	24	19	49	15	66	50	6.5	25	17.5	22	31	19	25	16	0.164
HE14-RS-L	左螺紋	M14x1.5	14	19	38	73.5	22	21.5	56	17	75	57	8	26	20	25	35	22	25	19	0.254
HE14-RS-1-L	左螺紋	M14x2	14	19	38	79.5	28	21.5	62	17	75	57	8	26	20	25	35	22	25	19	0.254
HE16-RS-L	左螺紋	M16x1.5	16	22	44	79.5	23	23.5	60	19	84	64	8	32	22	27	39	22	20	26	0.336
HE16-RS-1-L	左螺紋	M16x2	16	22	44	85.5	29	23.5	66	19	84	64	8	32	22	27	39	22	20	26	0.336
HE18-RS-L	左螺紋	M18x1.5	18	23	45	90	25	26.5	68	20	93	71	10	34	25	31	44	27	20	33	0.464
HE20-RS-L	左螺紋	M20x1.5	20	27	50	90	25	27	68	24	99	77	10	35	27.5	34	44	30	20	45	0.538
HE22-RS-L	左螺紋	M22x1.5	22	27	52	95	26	28	70	24	109	84	12	41	30	37	50	32	16	48	0.713