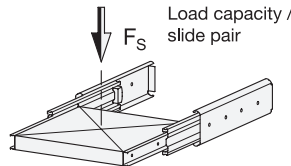
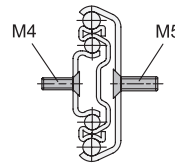


Mounting screws



**2 Type**

**B** With rubber stop

**3 Identification no.**

**2** Mounting with countersunk holes

**1**

$l_1$	$l_2$ <sup>+4</sup> / <sub>-4</sub> Stroke	$l_3$	$F_S$ per pair in N	
			at 10,000 cycles	at 100,000 cycles
350	335	685	650	570
400	400	800	750	680
450	451	901	750	750
500	506	1006	750	750

**1**

$l_1$	$l_2$ <sup>+4</sup> / <sub>-4</sub> Stroke	$l_3$	$F_S$ per pair in N	
			at 10,000 cycles	at 100,000 cycles
550	555	1105	750	750
600	612	1212	750	750
700	700	1400	750	750

**Specification**

- Slide profile  
Steel, zinc plated, blue passivated **ZB**
- Bearings  
Roller bearing steel, hardened
- Ball cage  
Steel, zinc plated
- Rubber stop  
Plastic / Elastomer
- Self-retracting mechanism, dampened  
Stainless steel / Plastic
- Operating temperature -20 °C to 100 °C
- RoHS

**On request**

- Other lengths and hole spacing
- Other attachment options
- With locking device (front)
- Other surfaces
- With support bracket

**4**

**Information**

Telescopic slides with dampened self-retracting mechanism GN 1424 are installed vertically and in pairs. The stroke reaches  $\approx 100\%$  of the nominal length  $l_1$  (full extension).

The telescopic slides are delivered in **pairs**. They can be installed on the extension on either the left or right side due to the mechanics. All mounting holes are easy to reach through auxiliary holes. Only the mounting holes are shown, but other production-related holes may be present.

see also...

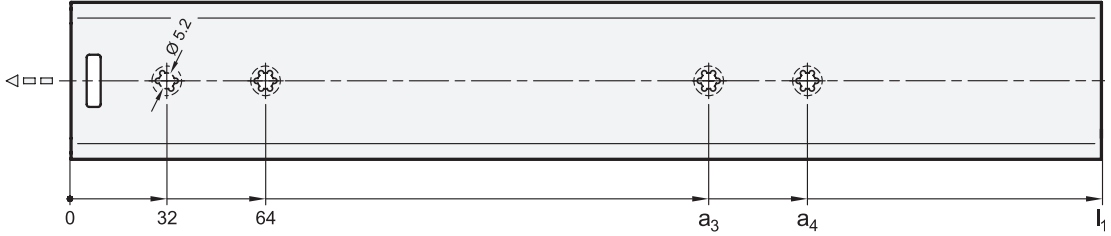
- List of Telescopic Slide Types  $\rightarrow$  Page 1852
- Technical Information on Telescopic Slides  $\rightarrow$  Page 1898 ff.
- Telescopic Slides GN 1422 (with Self-Retracting Mechanism)  $\rightarrow$  Page 1875
- Telescopic Slides GN 1432 (with Self-Retracting Mechanism)  $\rightarrow$  Page 1885

How to order

**GN 1424-400-B-2-ZB**

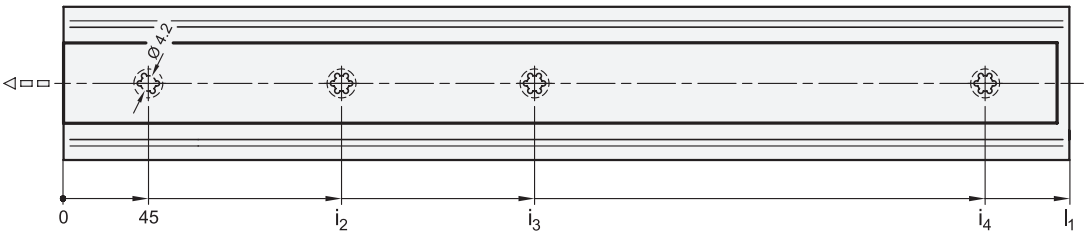
<b>1</b>	$l_1$
<b>2</b>	Type
<b>3</b>	Identification no.
<b>4</b>	Finish

### Mounting holes - outer slide



$l_1$	$a_3$	$a_4$
350	192	224
400	224	256
450	288	320
500	320	352
550	352	384
600	416	448
700	448	480

### Mounting holes - inner slide



$l_1$	$i_2$	$i_3$	$i_4$
350	173	301	-
400	173	333	-
450	205	397	-
500	237	461	-
550	269	493	-
600	173	301	562
700	173	333	653

### Mounting screws

For the said loading forces  $F_S$  to be absorbed reliably in the surrounding structure, all available countersunk holes of the outer and inner slide must be used. Failure to use mounting screws reduces the specified load capacity accordingly. The following screws can be used for mounting:

Designation - standard	Outer slide	Inner slide
Hexagon socket countersunk head screw DIN 7991	M 5	M 4
Countersunk screw, Phillips DIN 965	M 5	M 4
Countersunk screw, Phillips DIN 7997	Size 5	Size 4 / 4,5

3.1

3.2

3.3

3.4

3.5

3.6

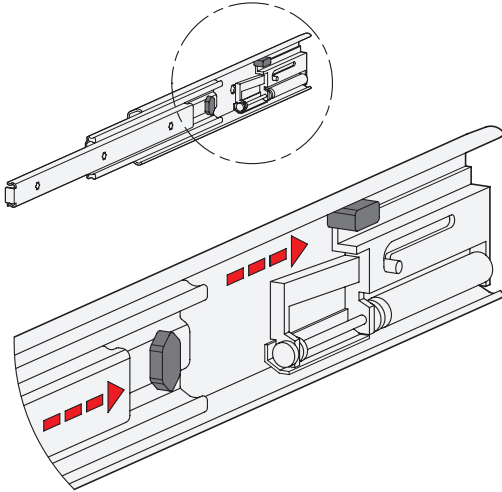
3.7

3.8

3.9



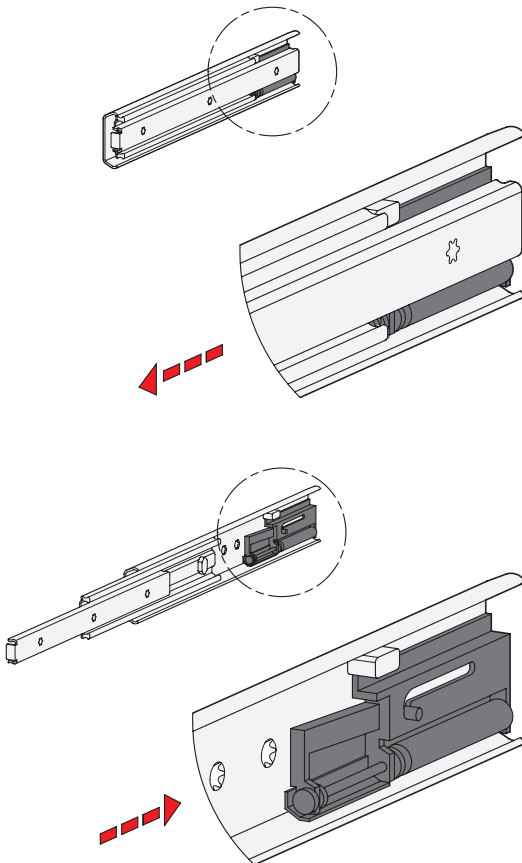
### Rubber stop



The rubber stops of type B dampen the impact of the slide in the respective end position. This feature minimizes noise development and increases the lifespan. Attached to the slides in a partially concealed, partially visible manner, the stops meet each of the requirements in regard to shape, material, and hardness.

If larger static or dynamic loads occur in the direction of extension, they should be absorbed by external stop elements.

### Self-retracting mechanism, dampened



Telescopic slides GN 1424 have a dampened self-retracting mechanism, which is also called “soft-close”. The dampened self-retracting mechanism is divided into two main functions and offers the best possible ease of use on closing the extension.

The self-retracting mechanism takes over the automatic retraction of the slides on the last 40 mm of stroke in the back stop position, where the slides are held in place accordingly. The retraction force is about 35 newtons per slide pair. Also, the dampening mechanism slows down to a considerably reduced speed the closing movement on the said stroke. An extremely smooth and gentle closing movement is achieved. This retraction force has to be overcome accordingly on opening the extension.

The dampened self-retracting mechanism is designed for loads weighing up to 75 kg based on 60,000 cycles (LGA standard). Proper use, including the reduction of the stroke speed to no more than 0.15 m/s on reaching the retraction mechanism, as well as compliance with the load values are required.