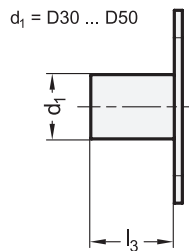


4 Type

A With connecting stud



1 2 3

d <sub>1</sub>	m <sub>1</sub>	m <sub>2</sub>	d <sub>2</sub>	l <sub>1</sub>	l <sub>2</sub>	l <sub>3</sub>	l <sub>4</sub>	s
D 18	75	75	30	95	95	46	24	5
D 20	75	75	30	95	95	48	26	5
D 25	75	75	30	95	95	54	32	5
D 30	75	75	-	95	95	40	-	5
D 40	75	75	-	95	95	52	-	5
D 50	75	75	-	95	95	65	-	5

1 2 3

d <sub>1</sub>	m <sub>1</sub>	m <sub>2</sub>	d <sub>2</sub>	l <sub>1</sub>	l <sub>2</sub>	l <sub>3</sub>	l <sub>4</sub>	s
D 18	100	100	30	120	120	46	24	5
D 20	100	100	30	120	120	48	26	5
D 25	100	100	30	120	120	54	32	5
D 30	100	100	-	120	120	40	-	5
D 40	100	100	-	120	120	52	-	5
D 50	100	100	-	120	120	65	-	5

Specification

- Aluminum
  - Connection plate
    - Plain, ground
  - Connection stud
    - Plain, turned
- Countersunk screws DIN 7991
  - Stainless steel AISI 304
- Stainless Steel Characteristics → Page 2166
- RoHS

On request

- With additional VESA hole patterns

5

Information

Monitor mounts GN 197 have a hole pattern according to the VESA standard.

The connecting studs can be combined with diverse components within the tube clamp connector program in order to realize a wide range of fastening variants, degrees of freedom and adjusting options.

see also...

- Construction Tubes GN 990 → Page 1835
- Swivel Clamp Connector Joints GN 288 → Page 1772
- Base Plate Connector Clamps GN 163 → Page 1733
- T-Angle Connector Clamps GN 192 → Page 1742

BL

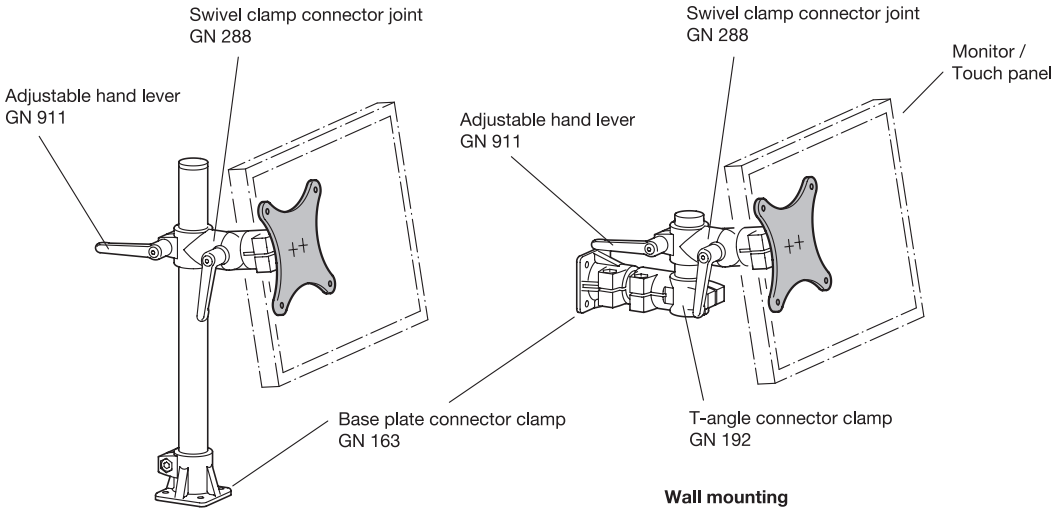
How to order

1	d <sub>1</sub>
2	m <sub>1</sub>
3	m <sub>2</sub>
4	Type
5	Finish

GN 197-D30-100-100-A-BL

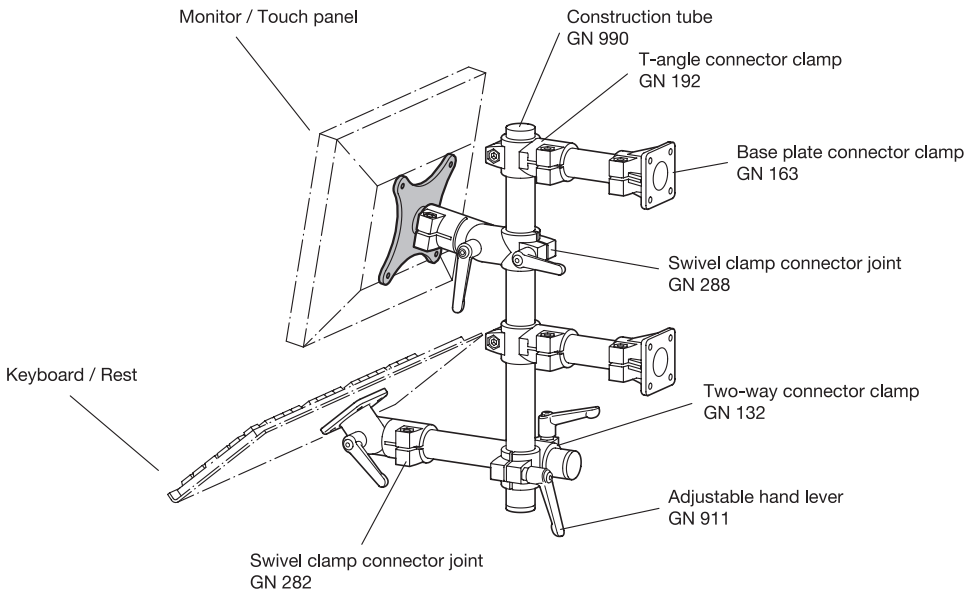
### Application examples

Depending on the requirements, monitor mounts GN 197 can be expanded with tube clamp connectors and construction tubes GN 990 to create complete solutions for wall or floor mounting. It is also easy to affix other accessories nearby, such as keyboards or hand scanners.



Floor mounting

Wall mounting



Wall mounting, support arm double

