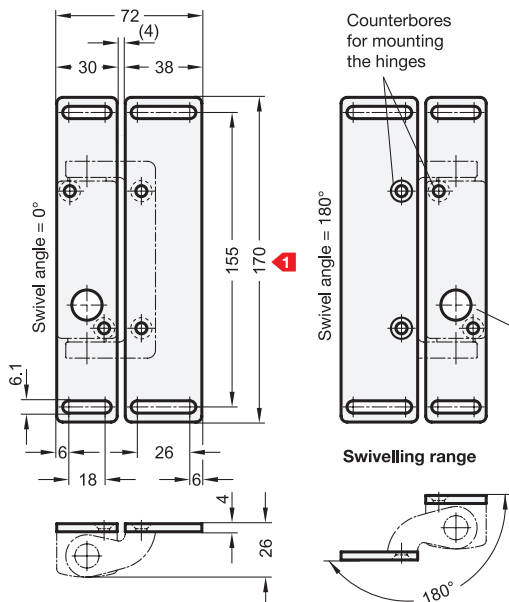
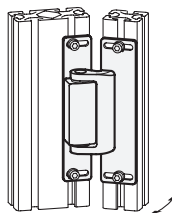


GN 139.3



Application example

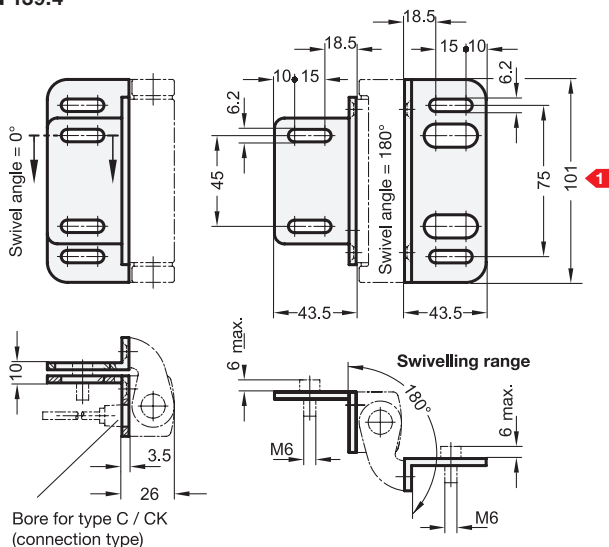


How to order

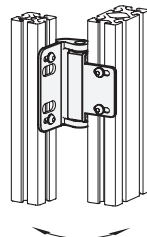
GN 139.3-170

1 Length

GN 139.4



Application example



How to order

GN 139.4-101

1 Length

Specification

- **GN 139.3**
Steel
Zinc plated and powder coated
Silver metallic
- **GN 139.4**
Zinc die casting
Powder coated
Silver metallic
- **RoHS**

Information

The flat mounting plate GN 139.3 allows the hinges GN 139.1 / GN 139.2 → Page 1400 to be attached from the front.

The angled mounting plate GN 139.4 allows the hinges GN 139.1 / GN 139.2 to be attached between frame and door, i.e. the door gap.

The long slotted holes allow the attachment to profile systems.

Countersunk screws for fixing the hinges to the mounting plate are included part of the order.