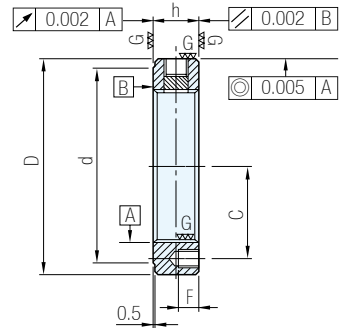
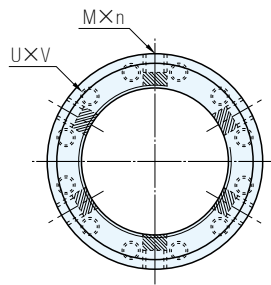


RoHS



材質	硬度	螺紋精度	平面偏擺	平行度	同心度
SCM440	HRC48~52	ISO 4H 精密研磨	0.002mm	0.002mm	0.005mm

品號	螺牙	D	h	d	U x V	C	F	M x n	扭緊力矩 (max.Nm)	鬆脫力矩	單價
SBL-D-0002	M 20 x 1	32	10	27	M4 x 6	13	5	M 5 x 3	4.5	24	•
SBL-D-0004	M 20 x 1.5										
SBL-D-0006	M 25 x 1.5	38	12	33	M5 x 9	16	6	M 6 x 3	8	26.5	•
SBL-D-0008	M 30 x 1.5										
SBL-D-0010	M 35 x 1.5	52	14	40	M6 x 9	19	8	M 8 x 6	18	34.3	•
SBL-D-0012	M 40 x 1.5										
SBL-D-0014	M 45 x 1.5	65	16	47	M6 x 12	22	10	M 10 x 6	35	36.3	•
SBL-D-0016	M 50 x 1.5										
SBL-D-0018	M 55 x 2	75	18	52	M8 x 12	25	12	M 12 x 6	45	56.9	•
SBL-D-0020	M 60 x 2										
SBL-D-0022	M 65 x 2	85	20	59	M8 x 12	28	14	M 14 x 6	55	63.7	•
SBL-D-0024	M 70 x 2										
SBL-D-0026	M 75 x 2	98	22	64	M8 x 12	30	16	M 16 x 6	65	68.6	•
SBL-D-0028	M 80 x 2										
SBL-D-0030	M 85 x 2	110	24	68	M8 x 12	33	18	M 18 x 6	75	96.1	•
SBL-D-0032	M 90 x 2										
SBL-D-0034	M 95 x 2	125	26	73	M8 x 12	35	20	M 20 x 6	85	112.7	•
SBL-D-0036	M100 x 2										
SBL-D-0038	M105 x 2	140	28	78	M8 x 12	38	22	M 22 x 6	95	137.3	•
SBL-D-0040	M110 x 2										
SBL-D-0042	M115 x 2	155	30	84	M8 x 12	41	24	M 24 x 6	105	145.1	•
SBL-D-0044	M120 x 2										
SBL-D-0046	M125 x 2	170	32	90	M8 x 12	43	26	M 26 x 6	115	149	•
SBL-D-0048	M130 x 2										
SBL-D-0050	M135 x 2	185	34	96	M8 x 12	46	28	M 28 x 6	125	168.6	•
SBL-D-0052	M140 x 2										
SBL-D-0054	M145 x 2	195	36	102	M8 x 12	49	30	M 30 x 6	135	178.4	•
SBL-D-0056	M150 x 2										
SBL-D-0058	M155 x 2	205	38	108	M8 x 12	53	32	M 32 x 6	145	193.1	•
SBL-D-0060	M160 x 2										
SBL-D-0062	M165 x 2	215	40	113	M8 x 12	55	34	M 34 x 6	155	210.8	•
SBL-D-0064	M170 x 2										
SBL-D-0066	M175 x 2	225	42	118	M8 x 12	58	36	M 36 x 6	165	215.7	•
SBL-D-0068	M180 x 2										
SBL-D-0070	M185 x 2	235	44	125	M8 x 12	61	38	M 38 x 6	175	230.4	•
SBL-D-0072	M190 x 2										
SBL-D-0074	M195 x 2	245	46	132	M8 x 12	64	40	M 40 x 6	185	250	•
SBL-D-0076	M200 x 2										
SBL-D-0078	M205 x 2	255	48	137	M8 x 12	66	42	M 42 x 6	195	264.7	•
SBL-D-0080	M210 x 2										
SBL-D-0082	M215 x 2	265	50	142	M8 x 12	69	44	M 44 x 6	205	274.5	•
SBL-D-0084	M220 x 2										
SBL-D-0086	M225 x 2	275	52	147	M8 x 12	71	46	M 46 x 6	215	291.1	•
SBL-D-0088	M230 x 2										
SBL-D-0090	M235 x 2	285	54	152	M8 x 12	74	48	M 48 x 6	225	328.4	•
SBL-D-0092	M240 x 2										
SBL-D-0094	M245 x 2	295	56	160	M8 x 12	78	50	M 50 x 6	235	372.5	•
SBL-D-0096	M250 x 2										
SBL-D-0098	M255 x 2	305	58	165	M8 x 12	80	52	M 52 x 6	245	402	•
SBL-D-0100	M260 x 2										
SBL-D-0102	M265 x 2	315	60	175	M8 x 12	84	54	M 54 x 6	255	421.6	•
SBL-D-0104	M270 x 2										
SBL-D-0106	M275 x 2	325	62	180	M8 x 12	86	56	M 56 x 6	265	•	
SBL-D-0108	M280 x 2										

Wa) 注意

- 鎖定方式為徑向三點(M45以下)和徑向六點式鎖定(M50以上)其厚度相較其他產品為薄,適用於螺帽厚度空間受到限制無使用其他產品的情況
- 螺帽本身背面增加了平衡螺絲孔,可解決高速主軸在調校平衡的不方便和精度,配合消音螺絲可降低高速所帶來的噪音問題
- 1 Nm = 10.2 kgf.cm = 0.73 lb.ft

訂貨: 交期: 天

SBL-D-0002