

LIFT-ASSIST HINGE HG-PA180-9 Outside Mount

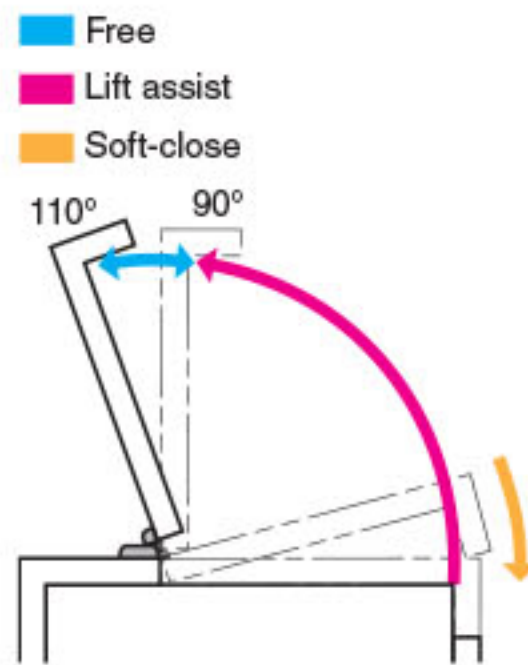


- Easy to lift heavy top-opening lid with spring tension (lift assist function).
- Smooth and soft-closing movement at the end, preventing lid from slamming shut.
- Torque is adjustable by turning the adjustment screw ($\pm 11\%$).
- With plastic cover for clean appearance.

[Remarks]

- Be sure to read the "Cautions"

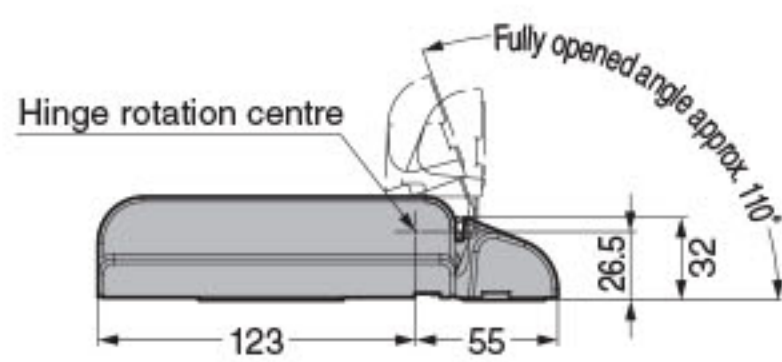
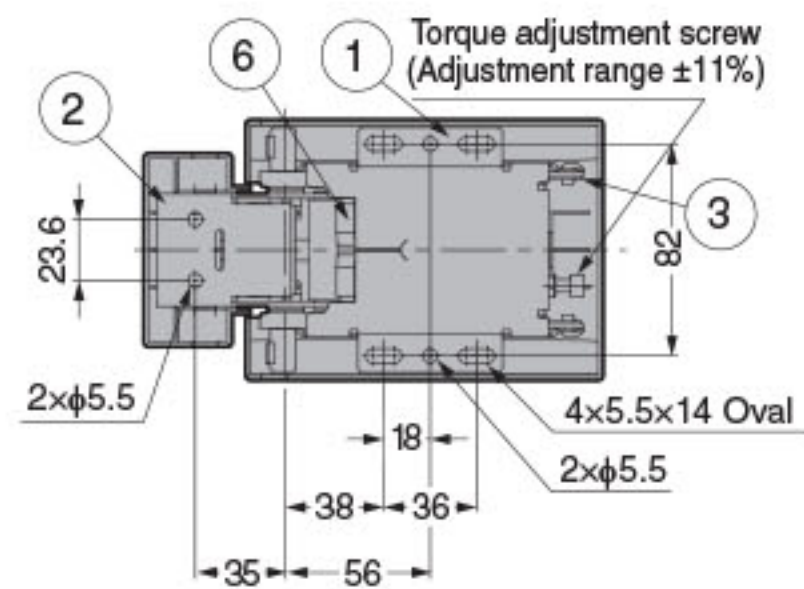
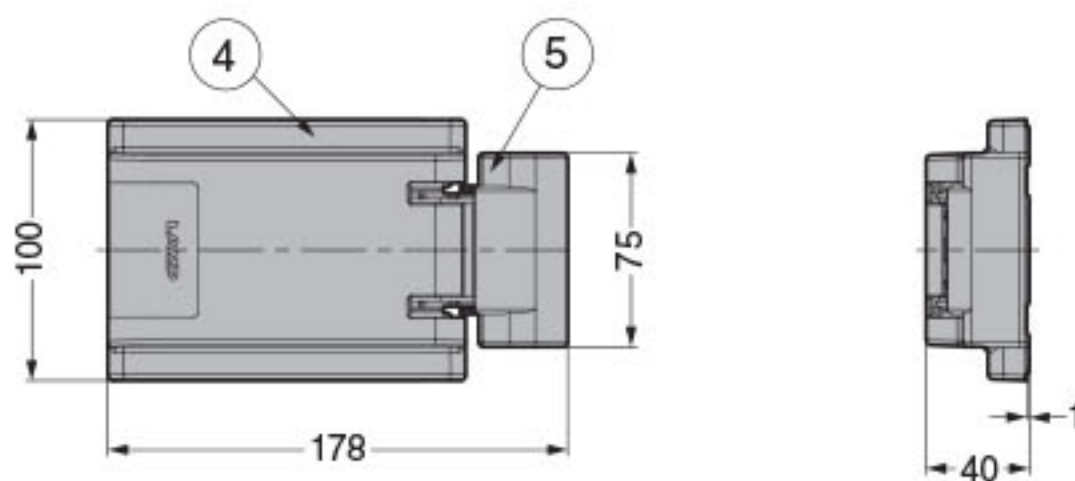
[Operating Range]



Selection Tool
Sasuga-kun
 Applicable Products
 Used for Product Selection & Simulation.
 Available on Web!

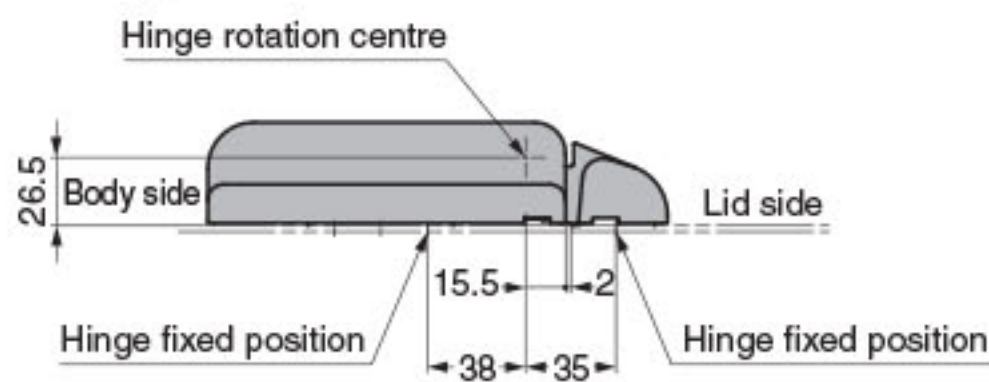
Video Link

Video Link
 Lift Assist



No.	Part Name	Material / Colour
①	Base A	Stainless Steel (SUS430)
②	Base B	
③	Case	
④	Cover A	PBT/Light Grey
⑤	Cover B	
⑥	Slider	POM
-	Spring	Steel (SWO)

[Installation]



RoHS	CAD	Item Code	Item Name	Torque N·m/pc	Torque kgf·cm/pc	Weight (g)	Box (pcs)	Carton (pcs)
		170-029-739	HG-PA180-9	$g \pm 10\%$	$91 \pm 10\%$	800	1	12