

LIFT-ASSIST HINGE HG-PA230, HG-PA231 Inside Mount

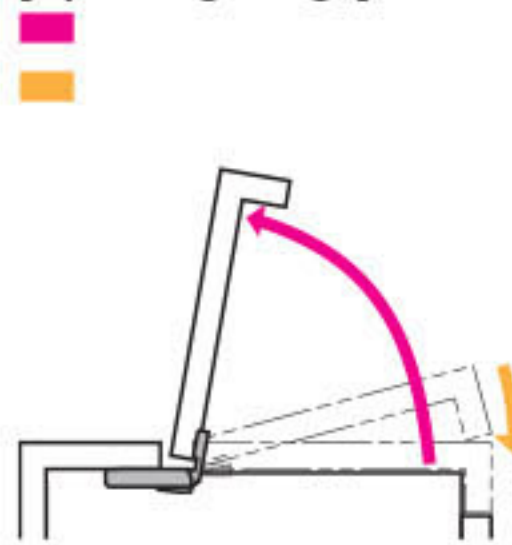


- The torque peaks at 20° or 35° depending on the lid shape (see diagram below).
- Easy to lift heavy top-opening lid with spring tension (lift assist function).
- Smooth and soft-closing movement at the end, preventing lid from slamming shut.
- Torque is adjustable by turning the adjustment screw ($\pm 5\%$).
- Able to limit the 140° opening angle to 55° or 80° with use of the included stopper plate.
- Opening angle can also be restricted between 15° and 90° (made to order).

[Remarks]

- Be sure to read the "Cautions" **1**.
- For HG-PA230 and HG-PA231, centre-of-gravity positions of the applicable doors are different. Please refer to How to Select **2** for model selection.
- Install a stopper (not included) on the cabinet to prevent from exceeding the operating angle during opening or closing.

[Operating Range]



Selection Tool
Sasuga-kun
 Applicable Products
 Used for Product Selection & Simulation.
 Available on Web!

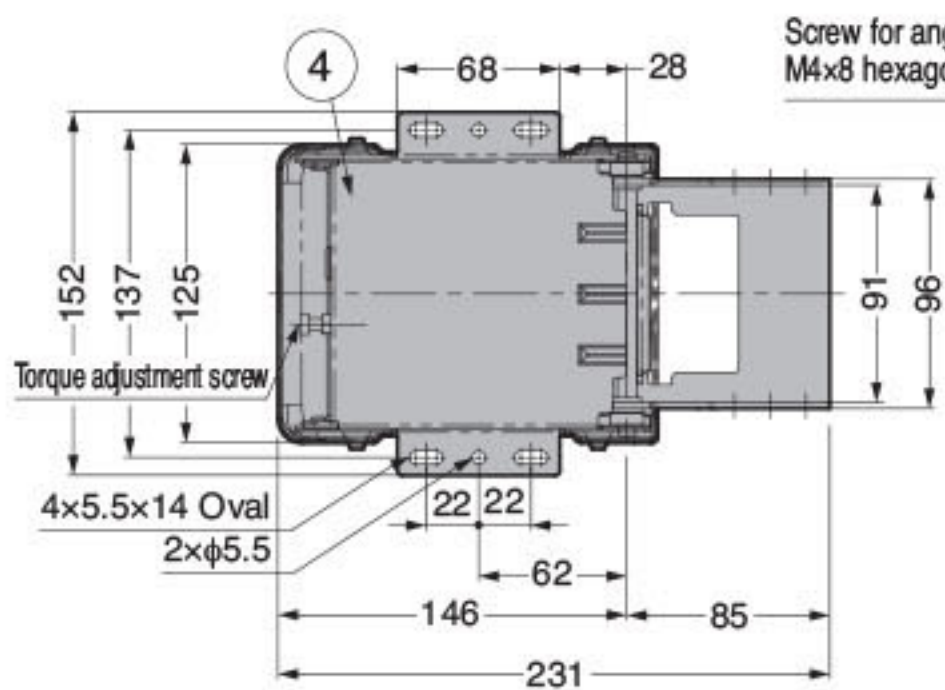
Video Link



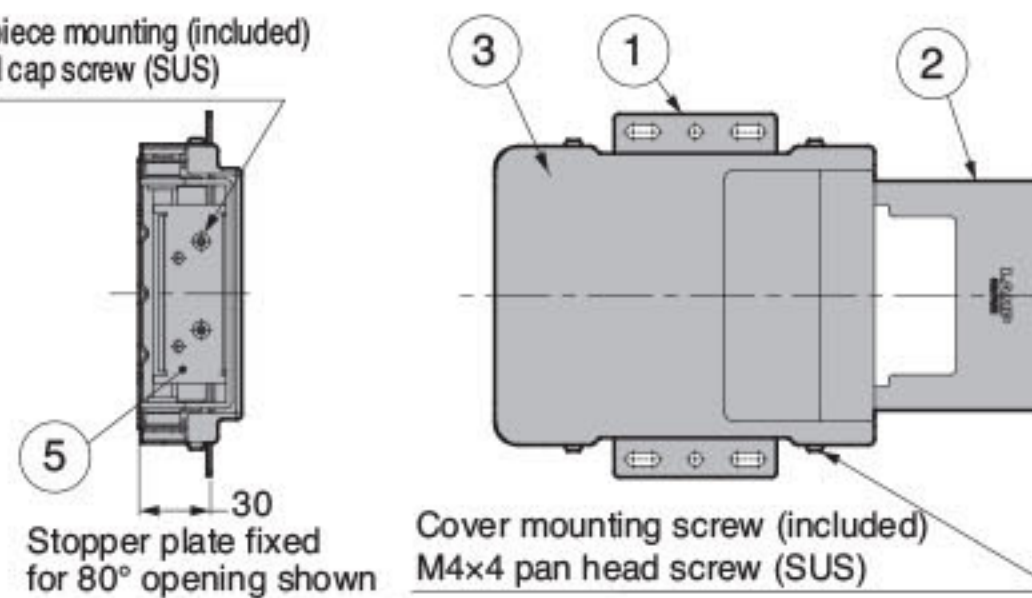
Yletion Designtec **Video**
Lift Assist



No.	Part Name	Material / Colour
①	Base A	Stainless Steel (SUS430)
②	Base B	
③	Cover	PP/Light Grey
④	Case	Stainless Steel (SUS430)
⑤	Stopper Plate	
-	Slider	POM
-	Spring	Steel (SWO)

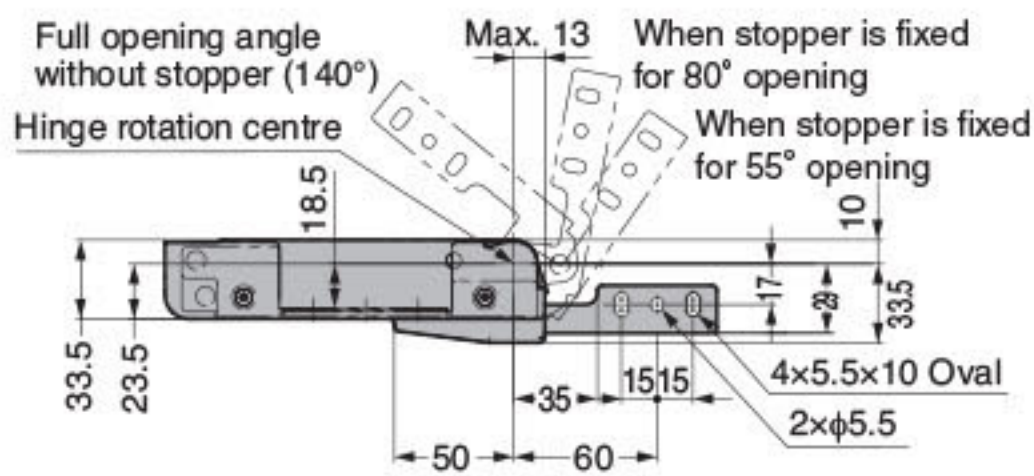


Screw for angle restricting piece mounting (included)
 M4x8 hexagon socket head cap screw (SUS)



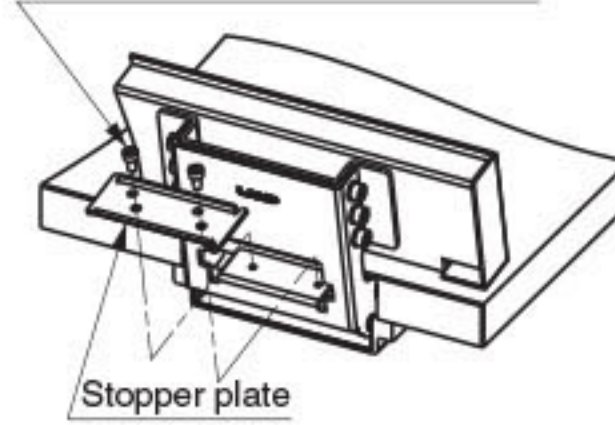
Stopper plate fixed for 80° opening shown

Cover mounting screw (included)
 M4x4 pan head screw (SUS)



[Setting of Opening angle]

Opening angle can be limited to 55° or 80° with the included stopper plate.
 Hexagon socket head cap screw M4x8 (provided)

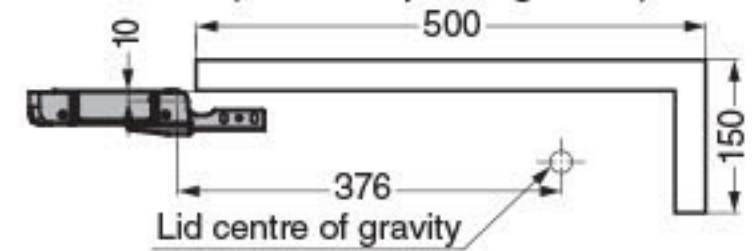


Stopper plate

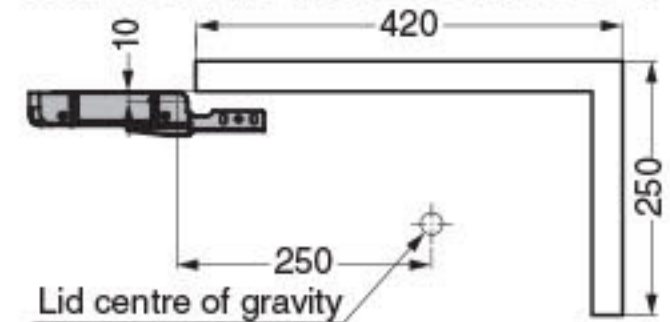
Direction of stopper plate

[Installation]

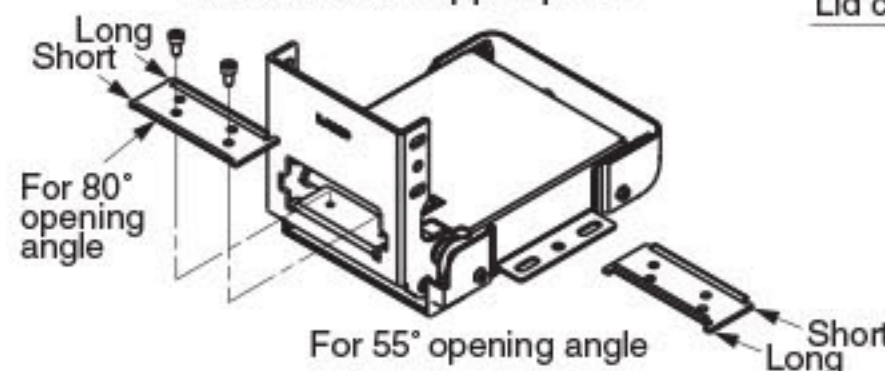
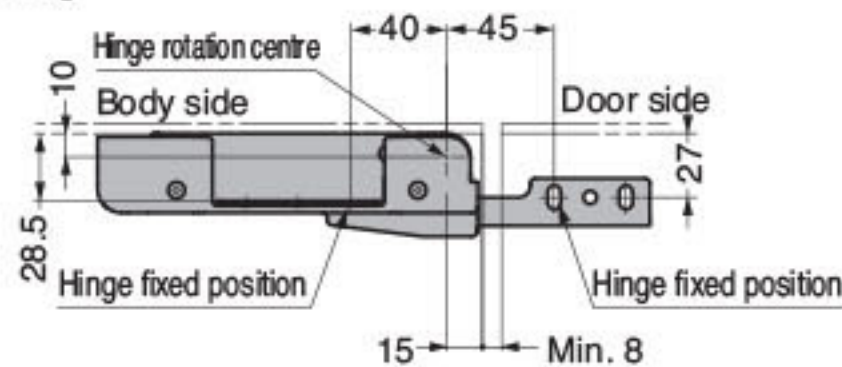
HG-PA230 (Peak torque angle 20°)



HG-PA231 (Peak torque angle 35°)



[Installation]



RcHS	CAD	Item Code	Item Name	Description	Torque N·m/pc	Torque kgf·cm/pc	Weight (g)	Box (pcs)	Carton (pcs)
G	3D	170-025-671	HG-PA230-15	Peak torque angle 20°	15 $\pm 10\%$	153 $\pm 10\%$	1296	1	8
G	3D	170-025-672	HG-PA230-20		20 $\pm 10\%$	204 $\pm 10\%$		1	8
G	3D	170-025-673	HG-PA230-25		25 $\pm 10\%$	255 $\pm 10\%$		1	8
G	3D	170-029-744	HG-PA231-15	Peak torque angle 35°	15 $\pm 10\%$	153 $\pm 10\%$		1	8
G	3D	170-029-745	HG-PA231-20		20 $\pm 10\%$	204 $\pm 10\%$		1	8
G	3D	170-029-746	HG-PA231-25		25 $\pm 10\%$	255 $\pm 10\%$		1	8