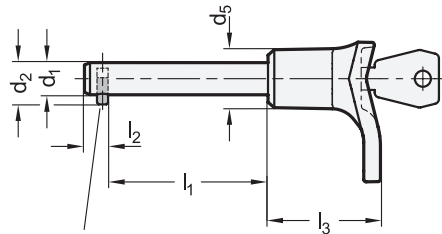
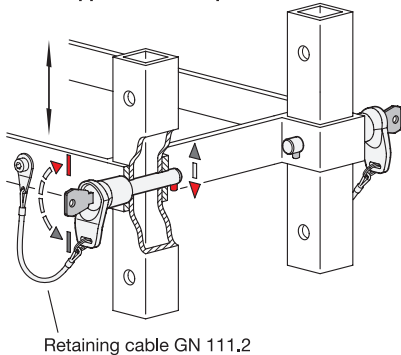
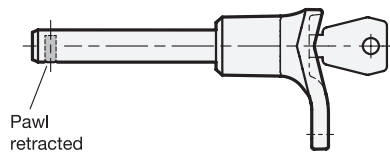
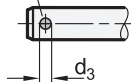


Application example



Pawl



Pawl retracted



3 Type

L With L-handle

4 Coding

SC With key (keyed alike)

SU With key (keyed differently)



$d_1 -0,05$	$l_1 +0,5$							b_1	b_2	d_2	d_3	d_4	d_5	$l_2 \pm 1$	l_3	l_4
8	20	25	30	35	40	50	-	7,5	3	9,5	3	23	18	4,5	35	43,5
10	20	25	30	35	40	50	60	7,5	3	12,6	3	23	18	4,5	35	43,5
12	30	35	40	50	60	70	80	7,5	3	14,6	4	23	18	6	35	43,5
16	30	35	40	50	60	70	80	12	4	19,7	5	35,5	28	7,5	40,5	65
20	60	80	100	120	-	-	-	12	4	23,7	5	35,5	28	7,5	40,5	65

Specification

- Plunger pin / Pawl
Stainless steel AISI 303 **NI**
- L-Handle
Plastic (Polyamide PA)
- Black
- Temperature resistant up to 80 °C
- Lock mechanism
Zinc die casting / Stainless steel
- Key (two pieces)
Steel, nickel plated
- Load Capacity → Page 2131
- ISO Fundamental Tolerances → Page 2151
- Stainless Steel Characteristics → Page 2166
- RoHS

Accessory

- Ball Chains GN 111 / GN 111.5 → Page 1174
- Retaining Cables GN 111.2 → Page 1176
- Spiral Retaining Cables GN 111.4
→ Page 1175



Information

Stainless steel locking pins GN 314 with L-Handle and key are used for quick fixing, connecting and locking of various jig and fixture systems without the need for tools. Turning the key 180° moves the pawl at the front end of the pin to engage the axial locking of the inserted pin. After locking, unauthorized removal is no longer possible. The key can be removed in both end positions.

The key can be removed in the end positions. Locks with coding SC are keyed alike, allowing each lock to be operated with the same key. Locks with coding SU have different locks with 100 different lock versions and correspondingly numbered keys.

The technical appendix contains the load capacities for the double-sided shearing resistance (breaking strength).

see also...

- List of Lock Pin Types → Page 1008 ff.
- Stainless Steel Ball Lock Pins GN 113.11 / GN 113.12 (with L-Handle)
→ Page 1017 / 1017

How to order

1	d_1
2	l_1
3	Type
4	Coding
5	Material

GN314-16-70-L-SC-NI