

LIFT-ASSIST HINGE HG-PA200, HG-PA201 Outside Mount



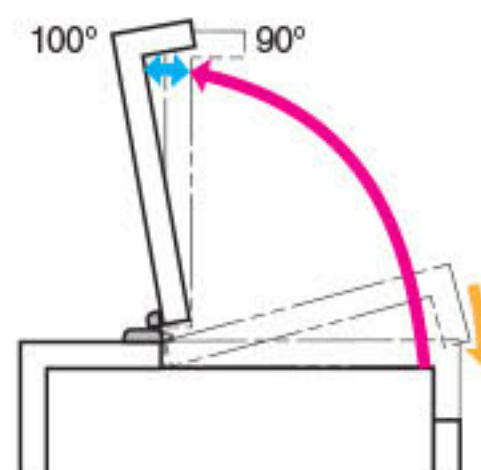
- The torque peaks at 20° or 35° depending on the lid shape (see diagram below).
- Easy to lift heavy top-opening lid with spring tension (lift assist function).
- Smooth and soft-closing movement at the end, preventing lid from slamming shut.
- Torque is adjustable by turning the adjustment screw (±5%).
- With plastic cover for clean appearance.

[Remarks]

- Be sure to read the "Cautions" **1**.
- Install a stopper (not included) on the cabinet to prevent from exceeding the operating angle during opening or closing.
- For HG-PA200 and HG-PA201, centre-of-gravity positions of the applicable doors are different. Please refer to How to Select **2** for model selection.

[Operating Range]

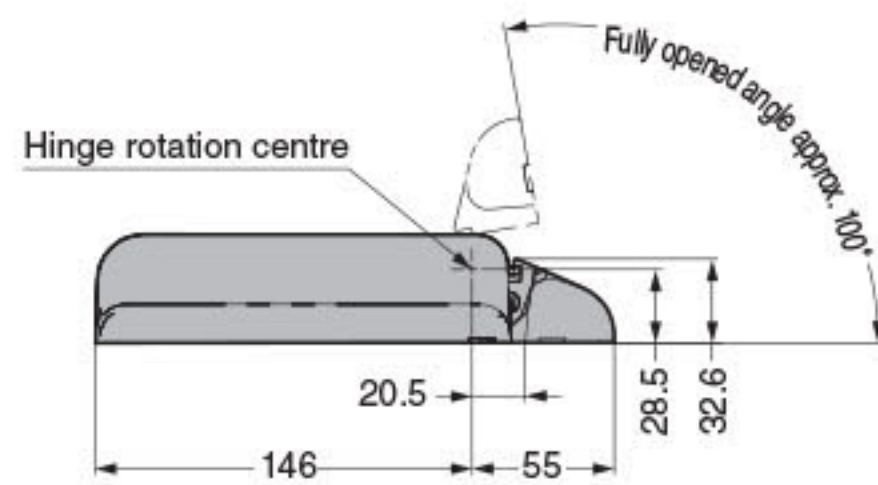
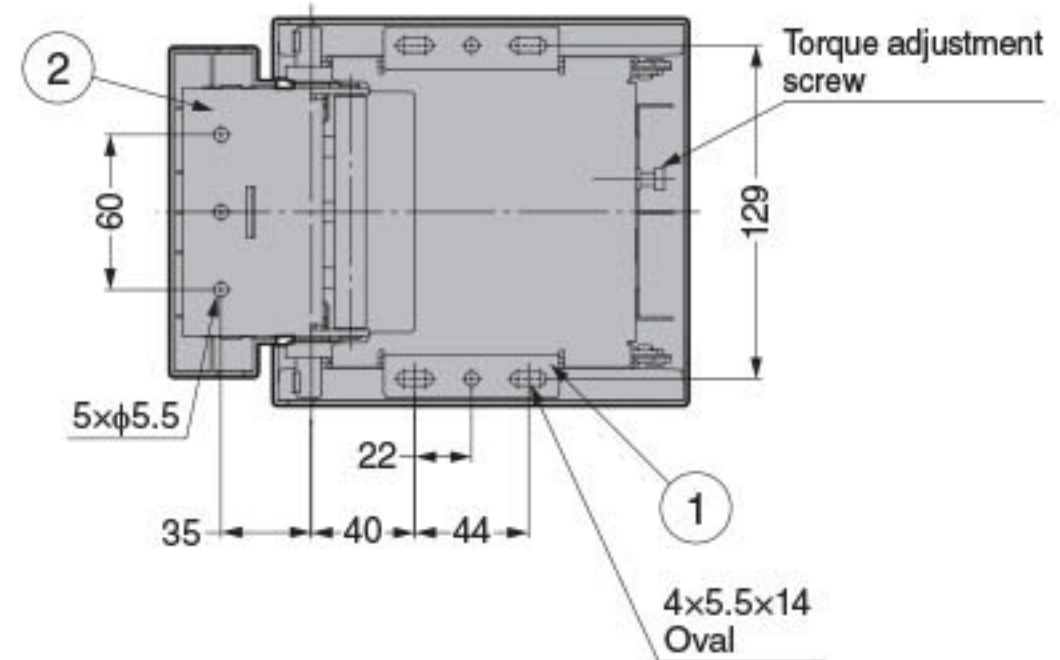
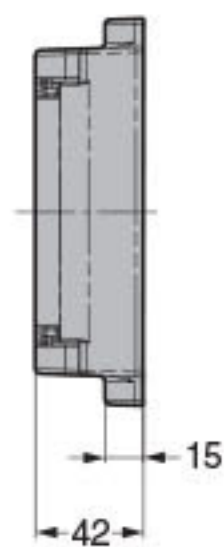
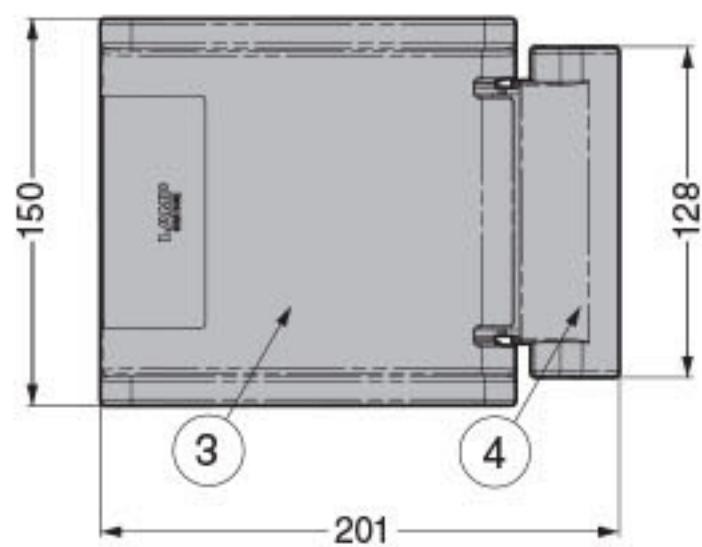
- Free
- Lift assist
- Soft-close



Selection Tool
Sasuga-kun
 Applicable Products
 Used for Product Selection & Simulation.
 Available on Web!

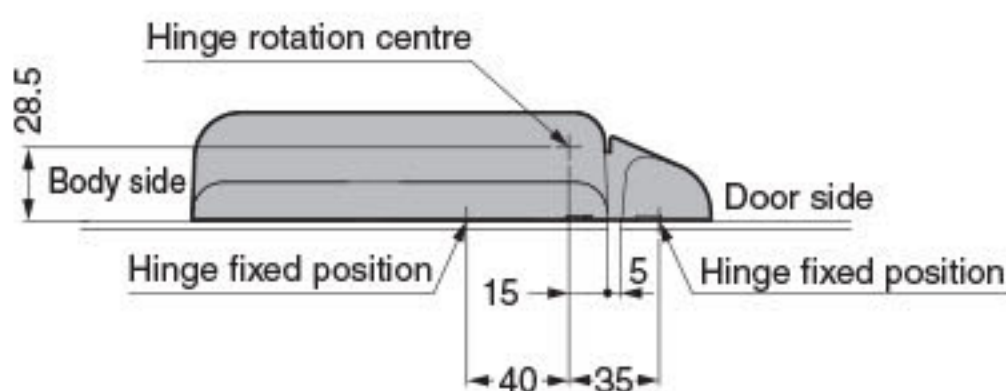
Video Link

Video Link



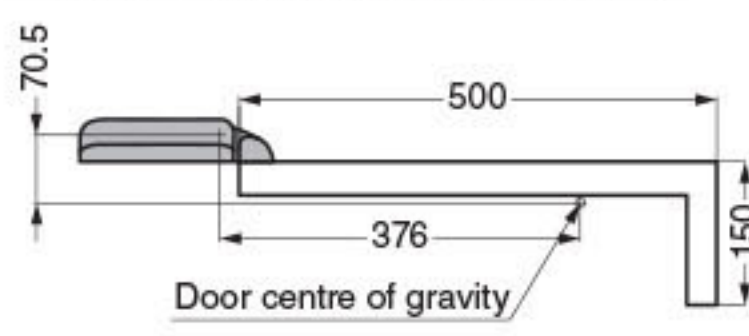
No.	Part Name	Material / Colour
①	Base A	Stainless Steel (SUS430)
②	Base B	
③	Cover A	PBT/Light Grey
④	Cover B	
-	Slider	POM
-	Spring	Steel (SWO)

[Installation]

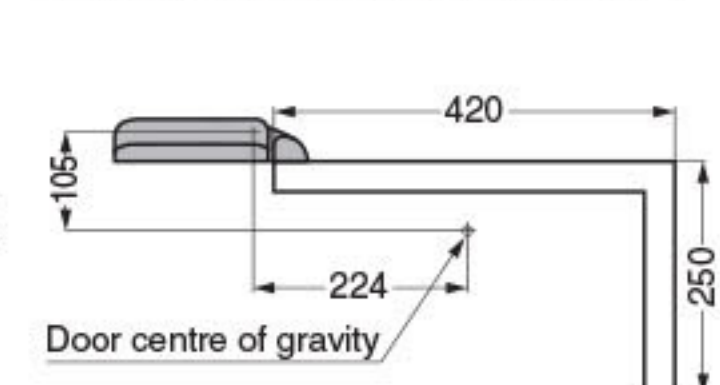


[Installation]

HG-PA200 (Peak torque angle 20°)



HG-PA201 (Peak torque angle 35°)



RoHS	CAD	Item Code	Item Name	Description	Torque N·m/pc	Torque kgf·cm/pc	Weight (g)	Box (pcs)	Carton (pcs)
✓	3D	170-025-668	HG-PA200-15	Peak torque angle 20°	15±10%	153±10%	1385	1	8
✓	3D	170-025-669	HG-PA200-20		20±10%	204±10%		1	8
✓	3D	170-025-670	HG-PA200-25		25±10%	255±10%		1	8
✓	3D	170-029-741	HG-PA201-15	Peak torque angle 35°	15±10%	153±10%		1	8
✓	3D	170-029-742	HG-PA201-20		20±10%	204±10%		1	8
✓	3D	170-029-743	HG-PA201-25		25±10%	255±10%		1	8