

LIFT-ASSIST HINGE HG-PA270 Outside Mount



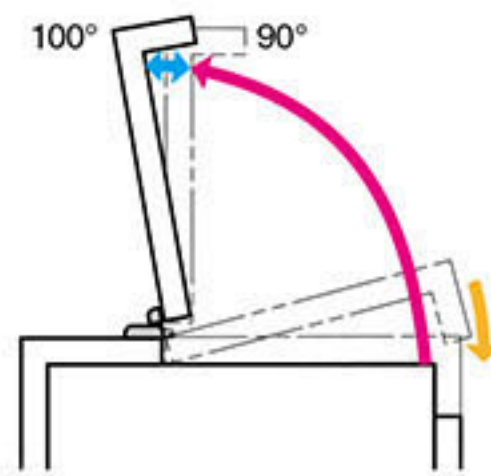
- Easy to lift heavy top-opening lid with spring tension (lift assist function).
- Smooth and soft-closing movement at the end, preventing lid from slamming shut.
- Torque is adjustable by turning the adjustment screw ($\pm 5\%$).
- With plastic cover for clean appearance.

[Remarks]

- Be sure to read the "Cautions" **1**.
- Install a stopper (not included) on the cabinet to prevent from exceeding the operating angle during opening or closing.

[Operating Range]

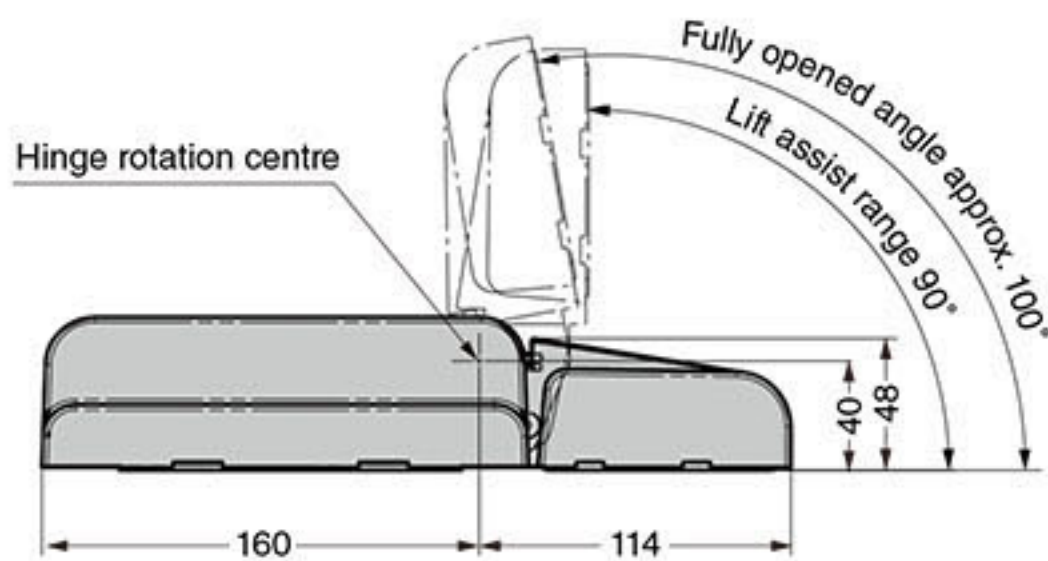
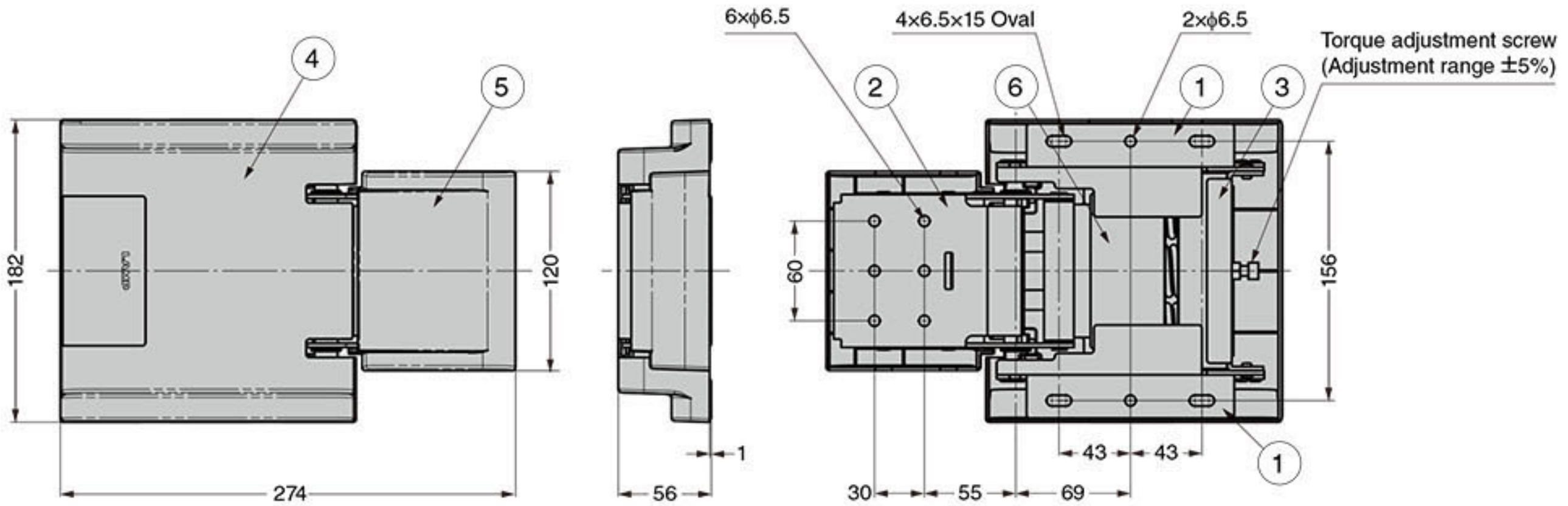
- Free
- Lift assist
- Soft-close



Selection Tool
Sasuga-kun
 Applicable Products
 Used for Product Selection & Simulation.
 Available on Web!

Video Link

Video
 Lift Assist



No.	Part Name	Material / Colour
①	Base A	Stainless Steel (SUS430)
②	Base B	
③	Case	PBT/Light Grey
④	Cover A	
⑤	Cover B	POM
-	Spring	Steel (SWO)

RoHS	CAD	Item Code	Item Name	Torque N·m/pc	Torque kgf·cm/pc	Weight (g)	Box (pcs)	Carton (pcs)
		170-034-307	GS- HG-PA270-35	35 $\pm 10\%$	357 $\pm 10\%$	2500	1	4
		170-034-308	GS- HG-PA270-45	45 $\pm 10\%$	459 $\pm 10\%$		1	4

Refer to **1** : P.15.