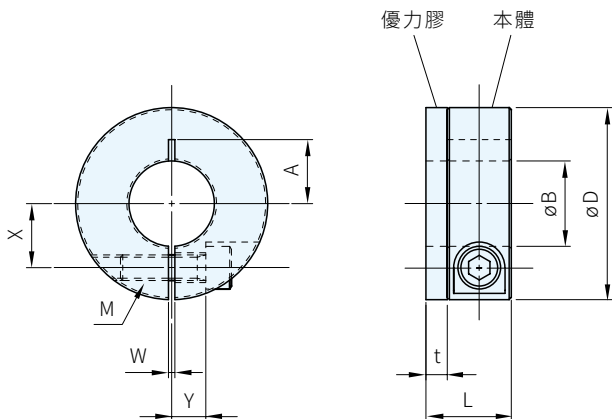




材質	處理	附屬品
S45C	塗裝	六角螺栓(染黑)1支
S45C	無電解鍍	六角螺栓(SUS×M7)1支
SUS304	-	六角螺栓(SUS×M7)1支



øB寸法公差

øB	公差
ø3~ 6	+0.03 +0.01
ø8~45	+0.05 +0.01
ø50	+0.06 +0.01

S45C				SUS304		B	L	D	優力膠		W	X	Y	A	M
染黑		無電解鍍		品號	庫存				t	硬度					
品號	庫存	品號	庫存			品號	庫存								
SCS0310ZD	△	SCS0310MD	△	SCS0310SD	△	3	10	15	2	A70	1	4.5	3	4.5	M3×8
SCS0410ZD	△	SCS0410MD	△	SCS0410SD	△	4	10	15	2	A70	1	4.5	3	4.5	M3×8
SCS0512ZD	△	SCS0512MD	△	SCS0512SD	△	5	12	20	2	A70	1	6	4	6	M4×1
SCS0612ZD	△	SCS0612MD	△	SCS0612SD	△	6	12	20	2	A70	1	6	4	6	M4×10
SCS0818ZD	△	SCS0818MD	△	SCS0818SD	△	8	18	30	3	A90	1.5	9	5	10	M6×15
SCS1018ZD	△	SCS1018MD	△	SCS1018SD	△	10	18	35	3	A90	1.5	10	6	12.5	M6×18
SCS1218ZD	△	SCS1218MD	△	SCS1218SD	△	12	18	35	3	A90	1.5	11	6	12.5	M6×18
SCS1318ZD	△	SCS1318MD	△	SCS1318SD	△	13	18	35	3	A90	1.5	11	6	12.5	M6×18
SCS1518ZD	△	SCS1518MD	△	SCS1518SD	△	15	18	40	3	A90	1.5	13	8	13	M6×20
SCS1618ZD	△	SCS1618MD	△	SCS1618SD	△	16	18	40	3	A90	1.5	13	8	13	M6×20
SCS1718ZD	△	SCS1718MD	△	SCS1718SD	△	17	18	40	3	A90	1.5	13	8	13	M6×20
SCS1818ZD	△	SCS1818MD	△	SCS1818SD	△	18	18	45	3	A90	1.5	15	8	15	M6×20
SCS2020ZD	△	SCS2020MD	△	SCS2020SD	△	20	20	45	5	A90	1.5	15	8	15	M6×20
SCS2520ZD	△	SCS2520MD	△	SCS2520SD	△	25	20	50	5	A90	1.5	18	10	18	M6×25
SCS3020ZD	△	SCS3020MD	△	SCS3020SD	△	30	20	55	5	A90	1.5	20	10	-	M6×25
SCS3520ZD	△	SCS3520MD	△	SCS3520SD	△	35	20	60	5	A90	2	23	12	-	M6×25
SCS4023ZD	△	SCS4023MD	△	SCS4023SD	△	40	23	70	5	A90	2	26	13	-	M8×30
SCS4523ZD	△	SCS4523MD	△	SCS4523SD	△	45	23	75	5	A90	3	28	14	-	M8×30
SCS5027ZD	△	SCS5027MD	△	SCS5027SD	△	50	27	85	5	A90	3	32	16	-	M10×35

訂貨： 交期： 天

SCS0310ZD