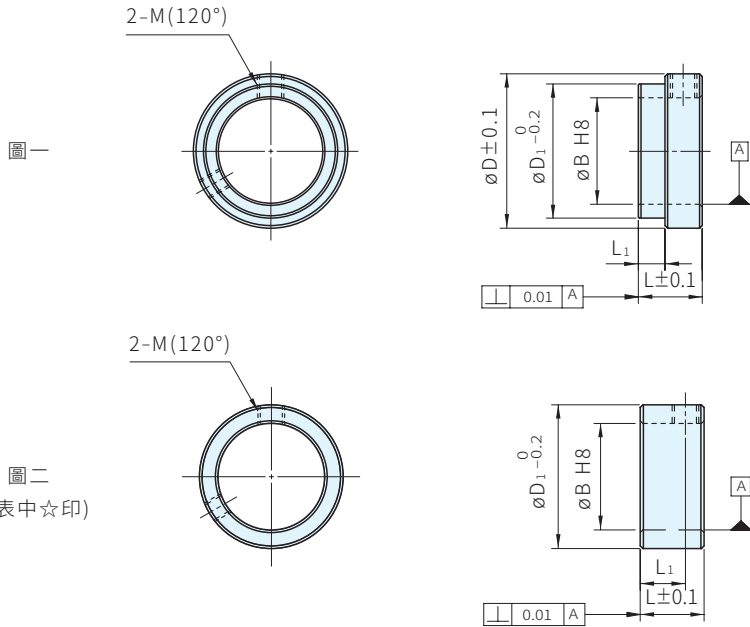


材質	處理	附屬品
S45C	染黑	止付螺絲(染黑)2支
SUS304	-	止付螺絲(SUS)2支



S45C		SUS304		適合軸承	B	D <sub>1</sub>	L	L <sub>1</sub>	D	M
品號	庫存	品號	庫存							
SC0609CLB1		SC0609SLB1		606ZZ	6	8.4	9	4	12	M3×3
SC0609CLB2	△	SC0609SLB2	△	626ZZ		9.2	9	4	12	M3×3
SC0609CLB3		SC0609SLB3		696ZZ		8	9	4	12	M3×3
SC0809CLB1		SC0809SLB1		608ZZ	8	11.7	9	4	14	M3×3
SC0809CLB2	△	SC0809SLB2	△	628ZZ		13.2	9	4	15	M3×3
SC0809CLB3		SC0809SLB3		698ZZ		11.2	9	4	14	M3×3
SC1009CLB1		SC1009SLB1		6000ZZ	10	14.7	9	4	16	M3×3
☆SC1009CLB2	△	☆SC1009SLB2	△	6200ZZ		17.2	9	6.5	-	M3×3
SC1009CLB3		SC1009SLB3		6900ZZ		14.2	9	4	16	M3×3
SC1210CLB1		SC1210SLB1		6001ZZ	12	17.2	10	4	19	M4×3
☆SC1210CLB2	△	☆SC1210SLB2	△	6201ZZ		18.7	10	7	-	M4×3
SC1210CLB3		SC1210SLB3		6901ZZ		16.2	10	4	19	M4×3
SC1510CLB1		SC1510SLB1		6002ZZ	15	20.2	10	4	22	M4×3
☆SC1510CLB2	△	☆SC1510SLB2	△	6202ZZ		21.7	10	7	-	M4×3
SC1510CLB3		SC1510SLB3		6902ZZ		19.2	10	4	22	M4×3
SC1710CLB1		SC1710SLB1		6003ZZ	17	22.2	10	4	24	M4×3
☆SC1710CLB2	△	☆SC1710SLB2	△	6203ZZ		24.2	10	7	-	M4×3
SC1710CLB3		SC1710SLB3		6903ZZ		21.2	10	4	24	M4×3
SC2012CLB1		SC2012SLB1		6004ZZ	20	27.2	12	5	29	M5×4
☆SC2012CLB2	△	☆SC2012SLB2	△	6204ZZ		29.2	12	8.5	-	M5×4

S45C		SUS304		適合軸承	B	D <sub>1</sub>	L	L <sub>1</sub>	D	M
品號	庫存	品號	庫存							
SC2012CLB3	△	SC2012SLB3	△	6904ZZ	20	25.2	12	5	29	M5×4
SC2512CLB1		SC2512SLB1		6005ZZ	25	31.7	12	5	34	M5×4
☆SC2512CLB2	△	☆SC2512SLB2	△	6205ZZ		33.2	12	8.5	-	M5×4
SC2512CLB3		SC2512SLB3		6905ZZ		30.2	12	5	34	M5×4
SC3014CLB1		SC3014SLB1		6006ZZ	30	38.2	14	6	41	M6×5
☆SC3014CLB2	△	☆SC3014SLB2	△	6206ZZ		40.2	14	10	-	M6×5
SC3014CLB3		SC3014SLB3		6906ZZ		35.2	14	6	41	M6×5
SC3514CLB1		SC3514SLB1		6007ZZ	35	43.2	14	6	46	M6×5
☆SC3514CLB2	△	☆SC3514SLB2	△	6207ZZ		46.2	14	10	-	M6×5
SC3514CLB3		SC3514SLB3		6907ZZ		41.2	14	6	46	M6×5
SC4014CLB1		SC4014SLB1		6008ZZ	40	48.2	14	6	51	M6×5
☆SC4014CLB2	△	☆SC4014SLB2	△	6208ZZ		52.2	14	10	-	M6×5
SC4014CLB3		SC4014SLB3		6908ZZ		46.2	14	6	51	M6×5
SC4516CLB1	△	SC4516SLB1	△	6009ZZ	45	50	16	6	57	M8×6
				6909ZZ						
SC4516CLB2		SC4516SLB2		6209ZZ						
SC5016CLB1	△	SC5016SLB1	△	6010ZZ	50	56	16	6	62	M8×6
				6910ZZ						
SC5016CLB2		SC5016SLB2		6210ZZ						
SC5516CLB1	△	SC5516SLB1	△	6011ZZ	55	62.5	16	6	69	M8×6
				6911ZZ						
SC5516CLB2		SC5516SLB2		6211ZZ						

## PS. 備註

- ☆是圖2(軀徑=外徑)的形狀
- 為避免和外蓋干涉，適用於外徑和寬度較小，軀部長軸承之固定環

 訂貨：  交期：  天

SC0609CLB1