

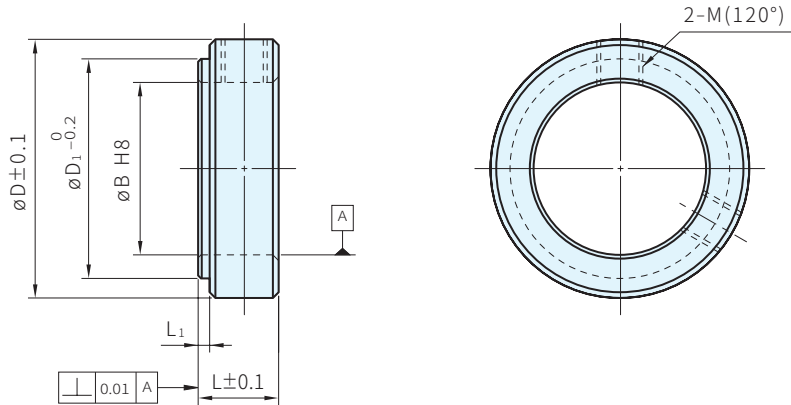


染黒

無電解鍍

SUS304

材質	處理	附屬品
S45C	染黒	止付螺絲(染黒)2支
S45C	無電解鍍	止付螺絲(SUS)2支
SUS304	-	止付螺絲(SUS)2支



S45C				SUS304		適合軸承	B	D <sub>1</sub>	L	L <sub>1</sub>	D	M
染黒		無電解鍍										
品號	庫存	品號	庫存	品號	庫存							
SC0307CB	△	SC0307MB	△	SC0307SB	△	693ZZ 623ZZ	3	5	7.5	2.5	7	☆M3×3
SC0407CB	△	SC0407MB	△	SC0407SB	△	694ZZ 624ZZ	4	6	7.5	2.5	8	☆M3×3
SC0507CB	△	SC0507MB	△	SC0507SB	△	695ZZ 605ZZ 625ZZ	5	7.2	7.5	2.5	11	☆M3×3
SC0607CB1		SC0607MB1		SC0607SB1		606ZZ	6	8.4	7.5	2.5	13	M3×3
SC0607CB2	△	SC0607MB2	△	SC0607SB2	△	626ZZ		9.2	7.5	2.5	13	M3×3
SC0607CB3		SC0607MB3		SC0607SB3		696ZZ		8	7.5	2.5	13	M3×3
SC0809CB1		SC0809MB1		SC0809SB1		608ZZ	8	11.7	9.5	2.5	18	M4×4
SC0809CB2	△	SC0809MB2	△	SC0809SB2	△	628ZZ		11.4	9.5	2.5	18	M4×4
SC0809CB3		SC0809MB3		SC0809SB3		698ZZ		10.4	9.5	2.5	18	M4×4
SC1011CB1		SC1011MB1		SC1011SB1		6000ZZ	10	14.2	11	3	20	M5×6
SC1011CB2	△	SC1011MB2	△	SC1011SB2	△	6200ZZ		16.7	11	3	20	M5×6
SC1011CB3		SC1011MB3		SC1011SB3		6900ZZ		13.2	11	3	20	M5×6
SC1211CB1		SC1211MB1		SC1211SB1		6001ZZ	12	17.2	11	3	22	M5×6
SC1211CB2	△	SC1211MB2	△	SC1211SB2	△	6201ZZ		17.7	11	3	22	M5×6
SC1211CB3		SC1211MB3		SC1211SB3		6901ZZ		15.2	11	3	22	M5×6
SC1511CB1	△	SC1511MB1	△	SC1511SB1	△	6002ZZ	15	20.2	11	3	25	M5×6

S45C				SUS304		適合軸承	B	D <sub>1</sub>	L	L <sub>1</sub>	D	M
染黑		無電解鍍		品號	庫存							
品號	庫存	品號	庫存	品號	庫存							
SC1511CB2	△	SC1511MB2	△	SC1511SB2	△	6202ZZ	15	21.2	11	3	25	M5×6
SC1511CB3		SC1511MB3		SC1511SB3		6902ZZ		18.7	11	3	25	M5×6
SC1713CB1		SC1713MB1		SC1713SB1		6003ZZ	17	22.2	13	3	28	M6×6
SC1713CB2	△	SC1713MB2	△	SC1713SB2	△	6203ZZ		24.2	13	3	28	M6×6
SC1713CB3		SC1713MB3		SC1713SB3		6903ZZ		20.2	13	3	28	M6×6
SC2013CB1		SC2013MB1		SC2013SB1		6004ZZ	20	25.2	13	3	35	M6×6
SC2013CB2	△	SC2013MB2	△	SC2013SB2	△	6204ZZ		27.2	13	3	35	M6×6
SC2013CB3		SC2013MB3		SC2013SB3		6904ZZ		24.7	13	3	35	M6×6
SC2513CB1		SC2513MB1		SC2513SB1		6005ZZ	25	31.2	13.5	3.5	38	M6×6
SC2513CB2	△	SC2513MB2	△	SC2513SB2	△	6205ZZ		33.2	13.5	3.5	38	M6×6
SC2513CB3		SC2513MB3		SC2513SB3		6905ZZ		30.2	13.5	3.5	38	M6×6
SC3015CB1		SC3015MB1		SC3015SB1		6006ZZ	30	38.2	15.5	3.5	45	M8×8
SC3015CB2	△	SC3015MB2	△	SC3015SB2	△	6206ZZ		40.2	15.5	3.5	45	M8×8
SC3015CB3		SC3015MB3		SC3015SB3		6906ZZ		35.2	15.5	3.5	45	M8×8
SC3516CB1		SC3516MB1		SC3516SB1		6007ZZ	35	43.2	16.5	4.5	50	M8×8
SC3516CB2	△	SC3516MB2	△	SC3516SB2	△	6207ZZ		46.2	16.5	4.5	50	M8×8
SC3516CB3		SC3516MB3		SC3516SB3		6907ZZ		41.2	16.5	4.5	50	M8×8
SC4018CB1		SC4018MB1		SC4018SB1		6008ZZ	40	48.2	18.5	4.5	60	M10×8
SC4018CB2	△	SC4018MB2	△	SC4018SB2	△	6208ZZ		52.2	18.5	4.5	60	M10×8
SC4018CB3		SC4018MB3		SC4018SB3		6908ZZ		46.2	18.5	4.5	60	M10×8

**PS. 備註**

- ☆印是止付螺絲只有一支
- 長型穀部請參考P.500

訂貨：  交期：  天

SC0307CB