



染黑

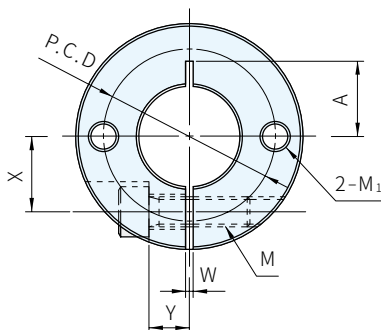
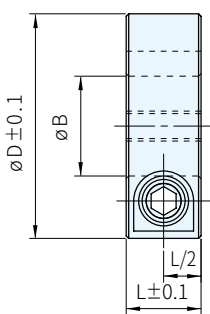


無電解鍍



SUS304

材質	處理	附屬品
S45C	染黑	六角螺栓(染黑)1支
S45C	無電解鍍	六角螺栓(SUS×M7)1支
SUS304	-	六角螺栓(SUS×M7)1支



φB寸法公差

φB	公差
φ6	+0.03 +0.01
φ8~40	+0.05 +0.01
φ50	+0.06 +0.01

S45C				SUS304		B	L	D	螺紋		W	X	Y	A	M
染黑		無電解鍍		品號	庫存				M ₁	P.C.D					
品號	庫存	品號	庫存												
SCS0608CN2	△	SCS0608MN2	△	SCS0608SN2	△	6	8	20	M3×0.5	12	1	6	4	7	M3×10
SCS0610CN2		SCS0610MN2		SCS0610SN2			10	20	M3×0.5	13	1	6	4	6	M4×10
SCS0808CN2		SCS0808MN2		SCS0808SN2		8	8	25	M4×0.7	14	1.5	8	5	7	M3×10
SCS0810CN2	△	SCS0810MN2	△	SCS0810SN2	△		10	25	M4×0.7	18	1.5	8	5	9	M4×12
SCS0812CN2		SCS0812MN2		SCS0812SN2			12	28	M5×0.8	18	1.5	8.5	5	10	M5×16
SCS0815CN2		SCS0815MN2		SCS0815SN2			15	30	M5×0.8	20	1.5	9.5	5	10	M6×15
SCS1010CN2		SCS1010MN2		SCS1010SN2		10	10	30	M5×0.8	20	1.5	9	5	11	M4×12
SCS1012CN2	△	SCS1012MN2	△	SCS1012SN2	△		12	30	M5×0.8	20	1.5	9	5	11	M5×16
SCS1015CN2		SCS1015MN2		SCS1015SN2			15	35	M6×1	24	1.5	10	6	12.5	M6×18
SCS1210CN2		SCS1210MN2		SCS1210SN2		12	10	30	M5×0.8	22	1.5	10	5	11	M4×12
SCS1212CN2	△	SCS1212MN2	△	SCS1212SN2	△		12	30	M5×0.8	22	1.5	10	5	11	M5×16
SCS1215CN2		SCS1215MN2		SCS1215SN2		13	15	35	M6×1	24	1.5	11	6	12.5	M6×18
SCS1310CN2	△	SCS1310MN2	△	SCS1310SN2	△		10	30	M4×0.7	22	1.5	10	5	11	M4×12
SCS1315CN2		SCS1315MN2		SCS1315SN2		15	35	M6×1	24	1.5	11	6	12.5	M6×18	
SCS1510CN2		SCS1510MN2		SCS1510SN2		15	10	32	M4×0.7	23	1.5	11	6	11	M4×12
SCS1512CN2	△	SCS1512MN2	△	SCS1512SN2	△		12	35	M5×0.8	26	1.5	12	6	13	M5×16
SCS1515CN2		SCS1515MN2		SCS1515SN2			15	40	M6×1	28	1.5	13	8	13	M6×20
SCS1610CN2		SCS1610MN2		SCS1610SN2		16	10	35	M4×0.7	24	1.5	12	6	13	M4×12
SCS1612CN2	△	SCS1612MN2	△	SCS1612SN2	△		12	35	M5×0.8	26	1.5	12	6	13	M5×16
SCS1615CN2		SCS1615MN2		SCS1615SN2			15	40	M6×1	28	1.5	13	8	13	M6×20
SCS2010CN2		SCS2010MN2		SCS2010SN2		20	10	40	M4×0.7	28	1.5	14	7	15	M4×16
SCS2012CN2	△	SCS2012MN2	△	SCS2012SN2	△		12	40	M5×0.8	30	1.5	14	7	15	M5×16
SCS2015CN2		SCS2015MN2		SCS2015SN2			15	45	M6×1	34	1.5	15	8	15	M6×20
SCS2512CN2	△	SCS2512MN2	△	SCS2512SN2	△	25	12	45	M5×0.8	36	1.5	17	7	18	M5×16
SCS2515CN2		SCS2515MN2		SCS2515SN2			15	50	M6×1	38	1.5	18	10	18	M6×25
SCS3015CN2	△	SCS3015MN2	△	SCS3015SN2	△	30	15	55	M6×1	44	1.5	20	10	-	M6×25
SCS3515CN2	△	SCS3515MN2	△	SCS3515SN2	△	35	15	60	M6×1	48	2	23	12	-	M6×25
SCS4018CN2	△	SCS4018MN2	△	SCS4018SN2	△	40	18	70	M8×1.25	56	2	26	13	-	M8×30
SCS5022CN2	△	SCS5022MN2	△	SCS5022SN2	△	50	22	85	M10×1.5	68	3	32	16	-	M10×35

備註

· 表內以外的尺寸，請參照追加加工(P.524)

訂貨： 交期： 天

SCS0608CN2