

RoHS SUS

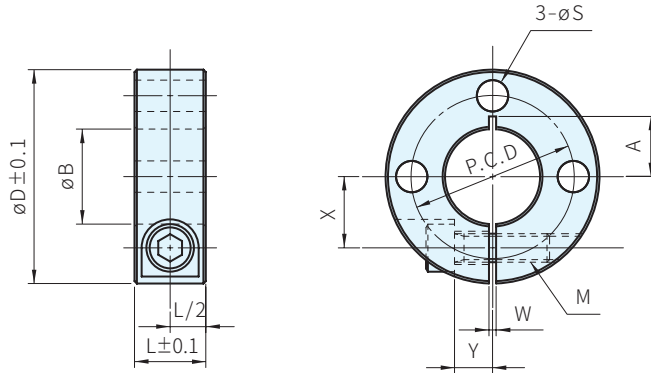


染黑



SUS304

| 材質 | 處理 | 附屬品 |
|--------|----|-------------|
| S45C | 染黑 | 六角螺栓(染黑)1支 |
| SUS304 | - | 六角螺栓(SUS)1支 |



øB寸法公差

| øB | 公差 |
|-------|----------------|
| ø6 | +0.03 +0.01 |
| ø8~40 | +0.05 +0.01 |
| ø50 | +0.06 +0.01 |

| S45C | | SUS304 | | B | L | D | 橫孔 | | W | X | Y | A | M |
|------------|----|------------|----|----|----|-----|-----|-------|-----|-----|-----|-------|--------|
| 品號 | 庫存 | 品號 | 庫存 | | | | S | P.C.D | | | | | |
| SCS0608CP3 | △ | SCS0608SP3 | △ | 6 | 8 | 20 | 3.5 | 13 | 1 | 6 | 4 | 3.5 | M3×10 |
| SCS0610CP3 | | SCS0610SP3 | | | 10 | 20 | 3.5 | 13 | 1 | 6 | 4 | 3.5 | M4×10 |
| SCS0808CP3 | △ | SCS0808SP3 | △ | 8 | 8 | 25 | 4.5 | 16 | 1.5 | 8 | 5 | 4.5 | M3×10 |
| SCS0810CP3 | | SCS0810SP3 | | | 10 | 25 | 4.5 | 18 | 1.5 | 8 | 5 | 4.5 | M4×12 |
| SCS0812CP3 | | SCS0812SP3 | | | 12 | 28 | 5.5 | 18 | 1.5 | 8.5 | 5 | 5 | M5×16 |
| SCS0815CP3 | | SCS0815SP3 | | 15 | 30 | 5.5 | 20 | 1.5 | 9.5 | 5 | 5.5 | M6×15 | |
| SCS1010CP3 | △ | SCS1010SP3 | △ | 10 | 10 | 30 | 5.5 | 20 | 1.5 | 9 | 5 | 6 | M4×12 |
| SCS1012CP3 | | SCS1012SP3 | | | 12 | 30 | 5.5 | 20 | 1.5 | 9 | 5 | 6 | M5×16 |
| SCS1015CP3 | | SCS1015SP3 | | | 15 | 35 | 6.6 | 24 | 1.5 | 11 | 6 | 7 | M6×18 |
| SCS1210CP3 | △ | SCS1210SP3 | △ | 12 | 10 | 30 | 5.5 | 22 | 1.5 | 10 | 5 | - | M4×12 |
| SCS1212CP3 | | SCS1212SP3 | | | 12 | 30 | 5.5 | 22 | 1.5 | 10 | 5 | - | M5×16 |
| SCS1215CP3 | | SCS1215SP3 | | | 15 | 35 | 6.6 | 24 | 1.5 | 11 | 6 | 7 | M6×18 |
| SCS1310CP3 | △ | SCS1310SP3 | △ | 13 | 10 | 30 | 4.5 | 22 | 1.5 | 10 | 5 | 7 | M4×12 |
| SCS1315CP3 | | SCS1315SP3 | | | 15 | 35 | 6.6 | 24 | 1.5 | 11 | 6 | 7 | M6×18 |
| - | | SCS1415SP3 | △ | 14 | 15 | 40 | 6.6 | 28 | 1.5 | 13 | 8 | 9 | M6×20 |
| SCS1510CP3 | △ | SCS1510SP3 | △ | 15 | 10 | 32 | 4.5 | 24 | 1.5 | 11 | 6 | - | M4×12 |
| SCS1512CP3 | | SCS1512SP3 | | | 12 | 35 | 5.5 | 26 | 1.5 | 12 | 6 | 8 | M5×16 |
| SCS1515CP3 | | SCS1515SP3 | | | 15 | 40 | 6.6 | 28 | 1.5 | 13 | 8 | 9 | M6×20 |
| SCS1610CP3 | △ | SCS1610SP3 | △ | 16 | 10 | 35 | 4.5 | 25 | 1.5 | 12 | 6 | 9 | M4×12 |
| SCS1612CP3 | | SCS1612SP3 | | | 12 | 35 | 5.5 | 26 | 1.5 | 12 | 6 | - | M5×16 |
| SCS1615CP3 | | SCS1615SP3 | | | 15 | 40 | 6.6 | 28 | 1.5 | 13 | 8 | 9 | M6×20 |
| SCS2010CP3 | △ | SCS2010SP3 | △ | 20 | 10 | 40 | 5.5 | 30 | 1.5 | 14 | 7 | - | M4×16 |
| SCS2012CP3 | | SCS2012SP3 | | | 12 | 40 | 5.5 | 30 | 1.5 | 14 | 7 | - | M5×16 |
| SCS2015CP3 | | SCS2015SP3 | | | 15 | 45 | 6.6 | 34 | 1.5 | 15 | 8 | - | M6×20 |
| SCS2512CP3 | △ | SCS2512SP3 | △ | 25 | 12 | 45 | 5.5 | 36 | 1.5 | 17 | 7 | - | M5×16 |
| SCS2515CP3 | | SCS2515SP3 | | | 15 | 50 | 6.6 | 38 | 1.5 | 18 | 10 | - | M6×25 |
| SCS3015CP3 | △ | SCS3015SP3 | △ | 30 | 15 | 55 | 6.6 | 44 | 1.5 | 20 | 10 | - | M6×25 |
| SCS3515CP3 | △ | SCS3515SP3 | △ | 35 | 15 | 60 | 6.6 | 48 | 2 | 23 | 12 | - | M6×25 |
| SCS4018CP3 | △ | SCS4018SP3 | △ | 40 | 18 | 70 | 9 | 56 | 2 | 26 | 13 | - | M8×30 |
| SCS5022CP3 | △ | SCS5022SP3 | △ | 50 | 22 | 85 | 11 | 68 | 3 | 32 | 16 | - | M10×35 |

訂貨： 交期： 天

SCS0608CP3