

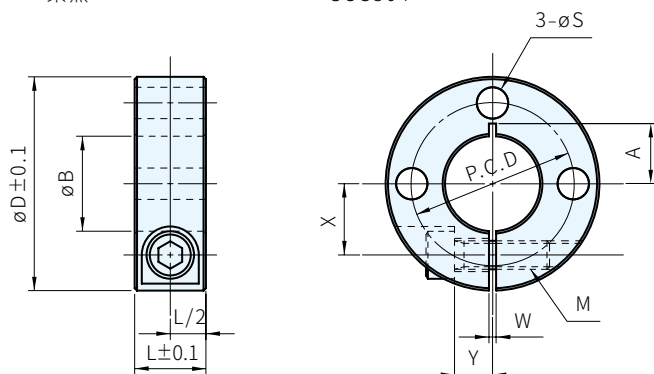


染黑



SUS304

材質	處理	附屬品
S45C	染黑	六角螺栓(染黑)1支
SUS304	-	六角螺栓(SUS×M7)1支



øB寸法公差

øB	公差
ø6	+0.03 +0.01
ø8~40	+0.05 +0.01
ø50	+0.06 +0.01

S45C		SUS304		B	L	D	橫孔		W	X	Y	A	M
品號	庫存	品號	庫存				S	P.C.D					
SCS0608CP3	△	SCS0608SP3	△	6	8	20	3.5	13	1	6	4	3.5	M3×10
SCS0610CP3		SCS0610SP3			10	20	3.5	13	1	6	4	3.5	M4×10
SCS0808CP3		SCS0808SP3		8	8	25	4.5	16	1.5	8	5	4.5	M3×10
SCS0810CP3	△	SCS0810SP3	△		10	25	4.5	18	1.5	8	5	4.5	M4×12
SCS0812CP3		SCS0812SP3			12	28	5.5	18	1.5	8.5	5	5	M5×16
SCS0815CP3		SCS0815SP3			15	30	5.5	20	1.5	9.5	5	5.5	M6×15
SCS1010CP3		SCS1010SP3		10	10	30	5.5	20	1.5	9	5	6	M4×12
SCS1012CP3	△	SCS1012SP3	△		12	30	5.5	20	1.5	9	5	6	M5×16
SCS1015CP3		SCS1015SP3			15	35	6.6	24	1.5	11	6	7	M6×18
SCS1210CP3		SCS1210SP3		12	10	30	5.5	22	1.5	10	5	-	M4×12
SCS1212CP3	△	SCS1212SP3	△		12	30	5.5	22	1.5	10	5	-	M5×16
SCS1215CP3		SCS1215SP3			15	35	6.6	24	1.5	11	6	7	M6×18
SCS1310CP3		SCS1310SP3	△	13	10	30	4.5	22	1.5	10	5	7	M4×12
SCS1315CP3	△	SCS1315SP3	△		15	35	6.6	24	1.5	11	6	7	M6×18
-		SCS1415SP3	△	14	15	40	6.6	28	1.5	13	8	9	M6×20
SCS1510CP3		SCS1510SP3		15	10	32	4.5	24	1.5	11	6	-	M4×12
SCS1512CP3	△	SCS1512SP3	△		12	35	5.5	26	1.5	12	6	8	M5×16
SCS1515CP3		SCS1515SP3			15	40	6.6	28	1.5	13	8	9	M6×20
SCS1610CP3		SCS1610SP3		16	10	35	4.5	25	1.5	12	6	9	M4×12
SCS1612CP3	△	SCS1612SP3	△		12	35	5.5	26	1.5	12	6	-	M5×16
SCS1615CP3		SCS1615SP3			15	40	6.6	28	1.5	13	8	9	M6×20
SCS2010CP3		SCS2010SP3		20	10	40	5.5	30	1.5	14	7	-	M4×16
SCS2012CP3	△	SCS2012SP3	△		12	40	5.5	30	1.5	14	7	-	M5×16
SCS2015CP3		SCS2015SP3			15	45	6.6	34	1.5	15	8	-	M6×20
SCS2512CP3		SCS2512SP3	△	25	12	45	5.5	36	1.5	17	7	-	M5×16
SCS2515CP3	△	SCS2515SP3	△		15	50	6.6	38	1.5	18	10	-	M6×25
SCS3015CP3	△	SCS3015SP3	△	30	15	55	6.6	44	1.5	20	10	-	M6×25
SCS3515CP3	△	SCS3515SP3	△	35	15	60	6.6	48	2	23	12	-	M6×25
SCS4018CP3	△	SCS4018SP3	△	40	18	70	9	56	2	26	13	-	M8×30
SCS5022CP3	△	SCS5022SP3	△	50	22	85	11	68	3	32	16	-	M10×35

訂貨：  交期：  天

SCS0608CP3