



染黑

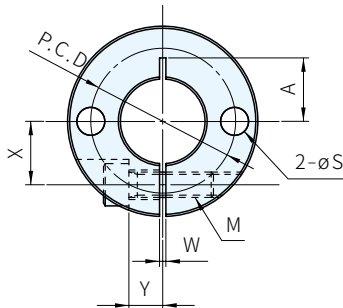
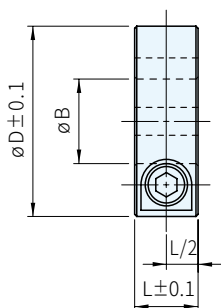


無電解鍍



SUS304

材質	處理	附屬品
S45C	染黑	六角螺栓(染黑)1支
S45C	無電解鍍	六角螺栓(SUS×M7)1支
SUS304	-	六角螺栓(SUS×M7)1支



φB寸法公差

φB	公差
φ6	+0.03 +0.01
φ8~40	+0.05 +0.01
φ50	+0.06 +0.01

S45C				SUS304		B	L	D	橫孔		W	X	Y	A	M	
染黑		無電解鍍		品號	庫存				S	P.C.D						
品號	庫存	品號	庫存													
SCS0608CP2	△	SCS0608MP2	△	SCS0608SP2	△	6	8	20	3.5	13	1	6	4	7	M3×10	
SCS0610CP2		SCS0610MP2		SCS0610SP2			10	10	20	3.5	13	1	6	4	6	M4×10
SCS0808CP2		SCS0808MP2		SCS0808SP2		8	8	25	4.5	16	1.5	8	5	7	M3×10	
SCS0810CP2	△	SCS0810MP2	△	SCS0810SP2	△		10	10	25	4.5	18	1.5	8	5	9	M4×12
SCS0812CP2		SCS0812MP2		SCS0812SP2			12	12	28	5.5	18	1.5	8.5	5	10	M5×16
SCS0815CP2		SCS0815MP2		SCS0815SP2			15	15	30	5.5	20	1.5	9.5	5	10	M6×15
SCS1010CP2		SCS1010MP2		SCS1010SP2		10	10	30	5.5	20	1.5	9	5	11	M4×12	
SCS1012CP2	△	SCS1012MP2	△	SCS1012SP2	△		12	12	30	5.5	20	1.5	9	5	11	M5×16
SCS1015CP2		SCS1015MP2		SCS1015SP2			15	15	35	6.6	24	1.5	10	6	12.5	M6×18
SCS1210CP2		SCS1210MP2		SCS1210SP2		12	10	30	5.5	22	1.5	10	5	11	M4×12	
SCS1212CP2	△	SCS1212MP2	△	SCS1212SP2	△		12	12	30	5.5	22	1.5	10	5	11	M5×16
SCS1215CP2		SCS1215MP2		SCS1215SP2			15	15	35	6.6	24	1.5	11	6	12.5	M6×18
SCS1310CP2	△	SCS1310MP2	△	SCS1310SP2	△	13	10	30	4.5	22	1.5	10	5	11	M4×12	
SCS1315CP2		SCS1315MP2		SCS1315SP2			15	15	35	6.6	24	1.5	11	6	12.5	M6×18
SCS1510CP2		SCS1510MP2		SCS1510SP2		15	10	32	4.5	24	1.5	11	6	11	M4×12	
SCS1512CP2	△	SCS1512MP2	△	SCS1512SP2	△		12	12	35	5.5	26	1.5	12	6	13	M5×16
SCS1515CP2		SCS1515MP2		SCS1515SP2			15	15	40	6.6	28	1.5	13	8	13	M6×20
SCS1610CP2		SCS1610MP2		SCS1610SP2		16	10	35	4.5	25	1.5	12	6	13	M4×12	
SCS1612CP2	△	SCS1612MP2	△	SCS1612SP2	△		12	12	35	5.5	26	1.5	12	6	13	M5×16
SCS1615CP2		SCS1615MP2		SCS1615SP2			15	15	40	6.6	28	1.5	13	8	13	M6×20
SCS2010CP2		SCS2010MP2		SCS2010SP2		20	10	40	5.5	30	1.5	14	7	15	M4×16	
SCS2012CP2	△	SCS2012MP2	△	SCS2012SP2	△		12	12	40	5.5	30	1.5	14	7	15	M5×16
SCS2015CP2		SCS2015MP2		SCS2015SP2			15	15	45	6.6	34	1.5	15	8	15	M6×20
SCS2512CP2	△	SCS2512MP2	△	SCS2512SP2	△	25	12	45	5.5	36	1.5	17	7	18	M5×16	
SCS2515CP2		SCS2515MP2		SCS2515SP2			15	15	50	6.6	38	1.5	18	10	18	M6×25
SCS3015CP2	△	SCS3015MP2	△	SCS3015SP2	△	30	15	55	6.6	44	1.5	20	10	-	M6×25	
SCS3515CP2	△	SCS3515MP2	△	SCS3515SP2	△	35	15	60	6.6	48	2	23	12	-	M6×25	
SCS4018CP2	△	SCS4018MP2	△	SCS4018SP2	△	40	18	70	9	56	2	26	13	-	M8×30	
SCS5022CP2	△	SCS5022MP2	△	SCS5022SP2	△	50	22	85	11	68	3	32	16	-	M10×35	

備註

· 上記以外の尺寸，請參照追加工

訂貨： 品號 交期： 16 天

SCS0608CP2