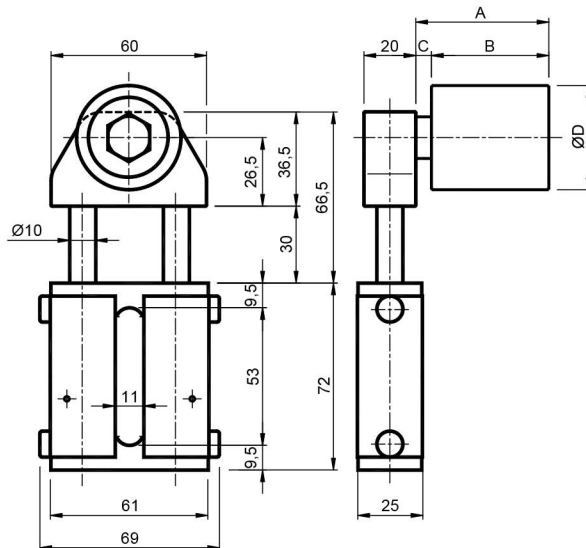


## Elastic Elements – Type: GPRP - GPRU / Elementi Elastici – Tipo: GPRP - GPRU



**UK MATERIALS** Body is made of aluminum. Columns made of steel. Caps, junctions and plate are made of plastic. RP: roller made of plastic  
**TREATMENTS** Galvanized metallic components.

**IT MATERIALI** Corpo in alluminio. Colonne in acciaio. Tappi, unioni e piastrina in plastica. RP: Rullo in plastica / RU: Rullo in acciaio  
**TRATTAMENTI** Componenti metallici zincati

Type Tipo	Cod. N°	A	B	C	$\varnothing D$	Newton max	Max rpm Numero di giri max	Bearing Cuscinetto	Weight Peso [kg]
<b>GP10RP1</b>	AS011660	38	35	3	30	158	8000	608	0,32
<b>GP10RP2/3</b>	AS011661	51	45	6	40	158	8000	6200	0,42