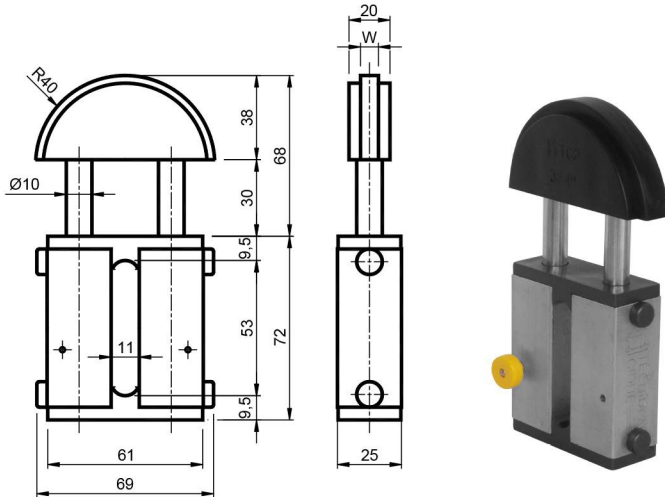


Elastic Elements – Type: **GV** / *Elementi Elastici – Tipo: **GV***



Type <i>Tipo</i>	Cod. N°	Chain Catena	W	Newton max	Weight <i>Peso</i> [kg]
GV101S	AS011600	06-B1 06-C1	4,5	158	0,24
GV102S	AS011605	08-B1 08-A1	7	158	0,24
GV202S	AS011610	08-B1 08-A1	7	284	0,24
GV203S	AS011606	10-B1 10-A1	9	284	0,24
GV303S	AS011611	10-B1 10-A1	9	478	0,24
GV304S	AS011612	12-B1 12-A1	11	478	0,24

UK MATERIALS Body is made of aluminum. Columns are made of steel. Junctions are made of plastic, sliding block is made of POM-H plastic.
TREATMENTS Galvanized metallic components.

IT MATERIALI Corpo in alluminio. Colonne in acciaio. Unioni in plastica. Pattino in plastica POM-H.
TRATTAMENTI Componenti metallici zincati.