

## Shaft Clamps

EH 23341.



### Product Description

Shaft clamps are used to clamp round workpieces, e.g. shafts, axels, tubes or rods both axially and radially.

### Material

#### Body

- Steel, blackened
- Stainless steel 1.4305

#### Spring

- stainless steel

#### Clamping screw

- Steel, zinc-plated
- Stainless Steel

### Assembly

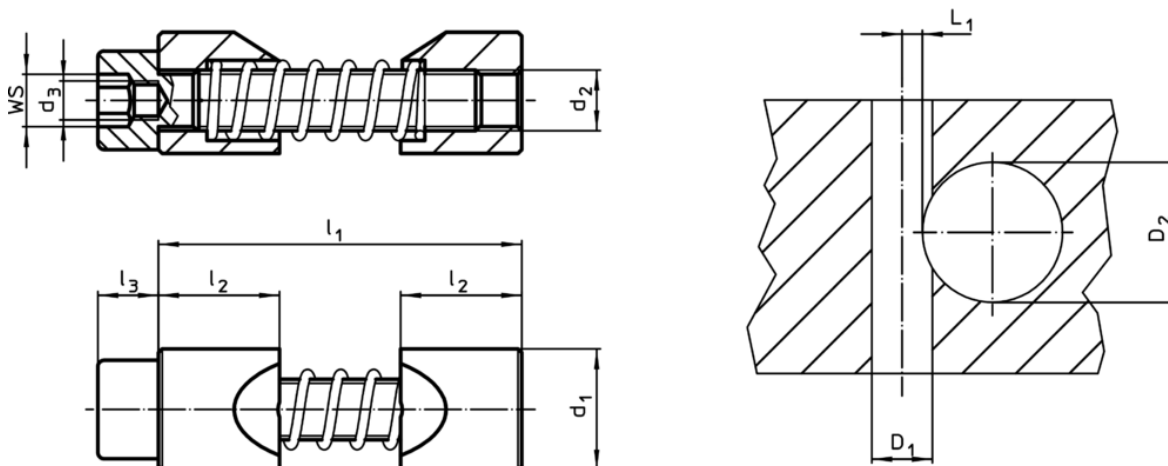
1. Expand the clamping jaws to the diameter of the shaft to be clamped.
2. Insert shaft clamp into hole using the assembly tool.
3. Insert and position the shaft.
4. Clamp using cylinder screw WS (observe tightening torque).

### More information

### Notes

The thread  $d_3$  serves to hold the assembly tool (optional).



### Drawing



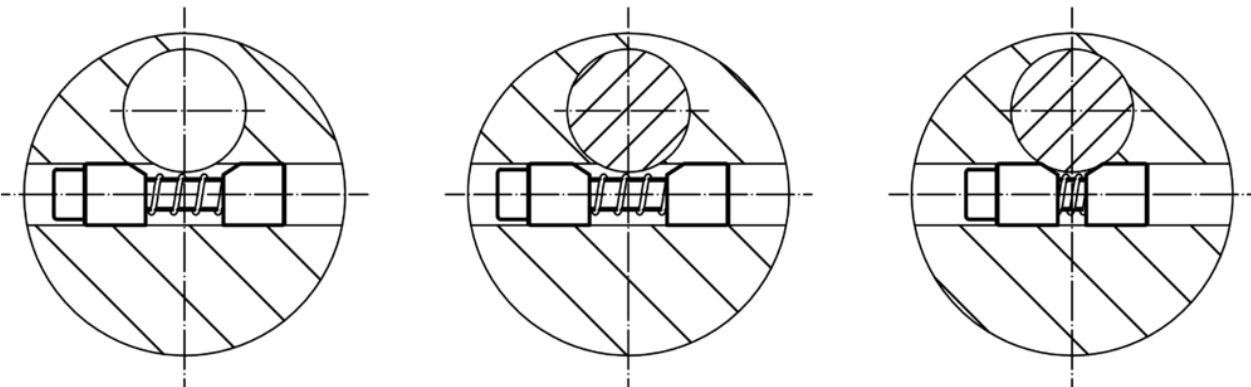
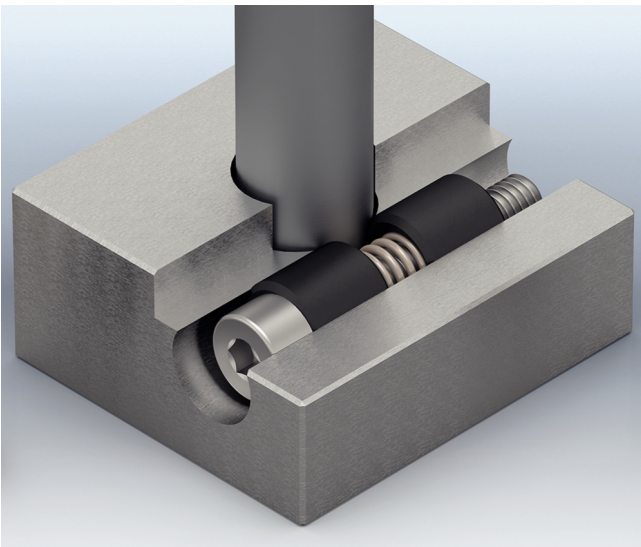
### Order information

$d_1$ h11	$d_2$	Dimensions				WS	Tightening torque max.	Location hole			Art. No.	
		$d_3$	$l_1$ max.	$l_2$	$l_3$			Hub bore $D_1$ H7	Shaft diameter $D_2$	$L_1$ +0.2		
[mm]						[mm]	[Nm]	[mm]			[g]	
<b>steel</b>												
8	M 4	M2,5	27	8	4	3	2.9	8	6 – 10	2.8	8.0	23341.0008
10	M 5	M 3	33	10	5	4	6.0	10	10 – 15	3.3	12.0	23341.0010
12	M 6	M 4	39	12	6	5	10.0	12	15 – 20	3.5	21.0	23341.0012
16	M 8	M 5	46	16	8	6	25.0	16	20 – 30	4.0	52.0	23341.0016
20	M10	M 6	53	20	10	8	46.0	20	30 – 40	4.8	98.0	23341.0020
25	M12	M 8	70	25	12	10	82.0	25	40 – 60	5.6	183.0	23341.0025
30	M16	M 10	81	30	16	14	206.0	30	60 – 125	7.9	344.0	23341.0030
<b>stainless steel</b>												
8	M 4	M2,5	27	8	4	3	2.9	8	6 – 10	2.8	6.8	23341.0508
10	M 5	M 3	33	10	5	4	6.0	10	10 – 15	3.3	13.0	23341.0510
12	M 6	M 4	39	12	6	5	10.0	12	15 – 20	3.5	22.0	23341.0512
16	M 8	M 5	46	16	8	6	25.0	16	20 – 30	4.0	52.0	23341.0516
20	M10	M 6	53	20	10	8	46.0	20	30 – 40	4.8	104.0	23341.0520
25	M12	M 8	70	25	12	10	82.0	25	40 – 60	5.6	189.0	23341.0525
30	M16	M 10	81	30	16	14	206.0	30	60 – 125	7.9	347.0	23341.0530

Accessories

	WS [mm]	d [mm]	 [g]	Art. No.
<b>special hexagon key</b>				
	3	M2,5	5	<a href="#">23341.1008</a>
	4	M 3	9	<a href="#">23341.1010</a>
	5	M 4	17	<a href="#">23341.1012</a>
	6	M 5	28	<a href="#">23341.1016</a>
	8	M 6	57	<a href="#">23341.1020</a>
	10	M 8	95	<a href="#">23341.1025</a>
	14	M 10	250	<a href="#">23341.1030</a>

Application example



Compliance

For detailed compliance information please select the desired article number.