

## Locating Bushings · for positioning clamping pins, for screw fit EH 23111.

### Product Description

These locating bushes for positioning clamping pins are mounted in the counterpart.



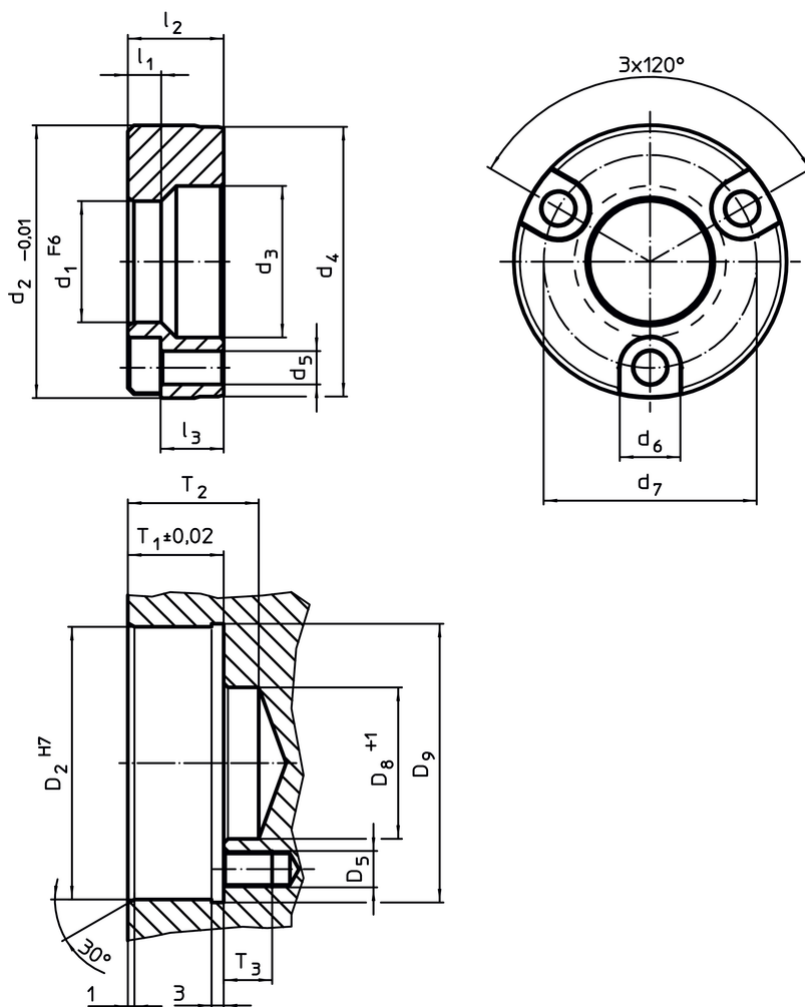
### Material

- Case-hardened steel, case-hardened, blackened
- Stainless steel 1.4112, hardened

### Assembly

The screw fit locating bushings for positioning clamping pins are inserted in the machine table or in the base plate and are screwed on. Supplied with mounting screws.

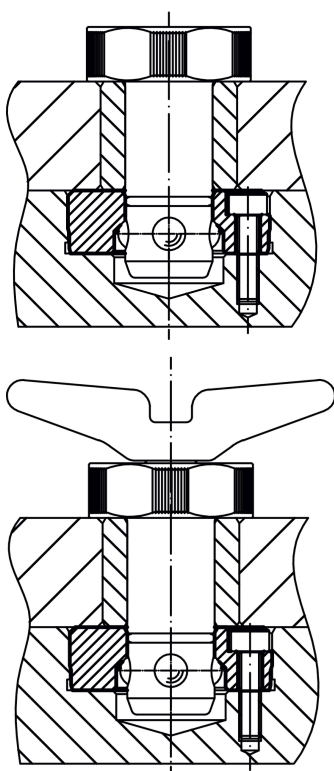
### Drawing



### Order information

Dimensions										Location hole							Art. No.	
d <sub>1</sub>	d <sub>2</sub>	d <sub>3</sub>	d <sub>4</sub>	d <sub>5</sub>	d <sub>6</sub>	d <sub>7</sub>	l <sub>1</sub>	l <sub>2</sub>	l <sub>3</sub>	D <sub>2</sub>	D <sub>5</sub>	D <sub>8</sub>	D <sub>9</sub>	T <sub>1</sub>	T <sub>2</sub>	T <sub>3</sub>		[g]
F6	-0.01									H7		+1		±0.02				
[mm]										[mm]								
<b>Case-hardened steel</b>																		
16	36.99	20	36.5	4.5	8	29	5.25	11.56	7.0	37	M4	20	38.5	11.91	22	12	73	23111.0782
20	44.99	25	44.5	5.5	10	35	5.25	15.82	10.0	45	M5	25	46.5	16.21	22	12	132	23111.0784
25	54.99	31	54.5	6.6	11	42	5.25	19.94	13.5	55	M6	31	56.5	20.32	28	14	264	23111.0786
30	59.99	37	59.5	6.6	11	48	5.25	21.77	15.0	60	M6	37	61.5	22.15	28	14	318	23111.0788
<b>stainless steel</b>																		
16	36.99	20	36.5	4.5	8	29	5.25	11.56	7.0	37	M4	20	38.5	11.91	22	12	72	23111.0882
20	44.99	25	44.5	5.5	10	35	5.25	15.82	10.0	45	M5	25	46.5	16.21	22	12	136	23111.0884
25	54.99	31	54.5	6.6	11	42	5.25	19.94	13.5	55	M6	31	56.5	20.32	28	14	258	23111.0886
30	59.99	37	59.5	6.6	11	48	5.25	21.77	15.0	60	M6	37	61.5	22.15	28	14	300	23111.0888

### Application example



### Compliance

#### RoHS compliant

Compliant according to Directive 2011/65/EU and Directive 2015/863

#### Does not contain SVHC substances

No SVHC substances with more than 0.1% w/w contained - SVHC list [REACH] as of 17.01.2023

#### Does not contain Proposition 65 substances

No Proposition 65 substances included

<https://www.P65Warnings.ca.gov/>

#### Free from Conflict Minerals

This product does not contain any substances designated as "conflict minerals" such as tantalum, tin, gold or tungsten from the Democratic Republic of Congo or adjacent countries.